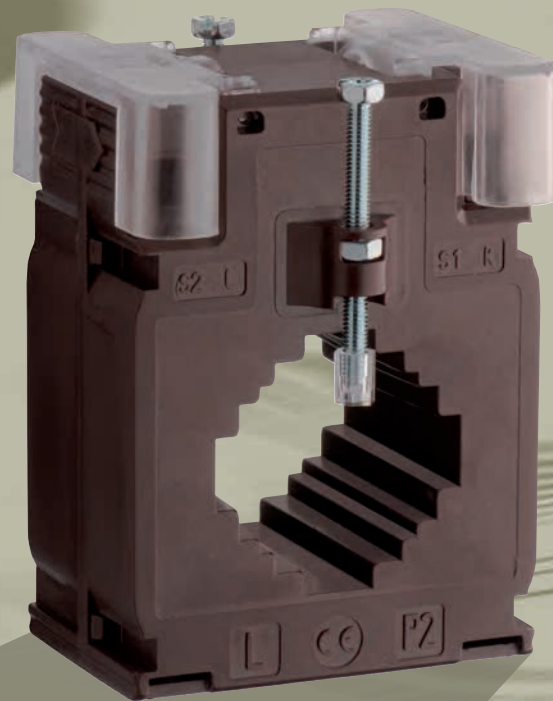
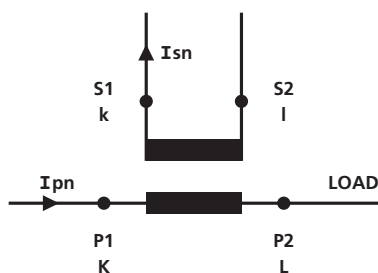




# Low voltage transformers



## Current transformers



- IME offer includes instrument transformers (class 0,5/1/3) pages 04÷11, accuracy transformers (class 0,2/0,2s/0,5s) pages 36÷39, protection transformers (class 5P5/10/15/20) pages 50÷53 and summation transformers (class 05/1) page 77
- Reference standard EN60044-1
- Passing cable/bar executions, wound primary, open-core type for passing cable/bar
- Primary currents ( $I_{pn}$ ) up to 8000A
- Secondary currents ( $I_{sn}$ ) 1A and 5A
- Frequency 47...63Hz (other values upon request)
- Rated short-time thermal current ( $I_{th}$ ):
  - passing cable/bar models  $60I_n$  (max. 60kA / 1 second)
  - wound primary models  $60I_n$  (TAQ1, TAQ2, TAQ6  $30I_n$ )
- Rated dynamic current ( $I_{dyn}$ )  $2,5I_{th}$
- Insulation in air class B
- Highest insulation reference voltage ( $U_m$ ) 0,72kV (upon request 1,2kV)
- Rated insulation level 3kVrms 50Hz / 1 minute (upon request 6kVrms 50Hz / 1 minute)
- Terminal protection degree IP20
  - (for models TAS... TAU... TAQ... BSA... just with sealable terminal cover)
- Connectors marking: primary P1(K) - P2(L) secondary s1(k) - s2(l)
- Standard tropicalized / marine use execution

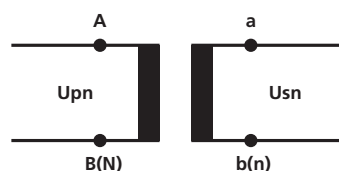
### Angle and ratio error limits for current transformers - Measurement (EN60044-1)

Class	Ratio error % ( $\pm$ )					Angle error ( $\pm$ )							
						Minutes				Centiradians			
	5% $I_n$	20% $I_n$	50% $I_n$	100% $I_n$	120% $I_n$	5% $I_n$	20% $I_n$	100% $I_n$	120% $I_n$	5% $I_n$	20% $I_n$	100% $I_n$	120% $I_n$
0,5	1,5	0,75		0,5	0,5	90	45	30	30	2,7	1,35	0,9	0,9
1	3,0	1,5		1,0	1,0	180	90	60	60	5,4	2,7	1,8	1,8
3			3,0		3,0								

### Angle and ratio error limits for current transformers - Accuracy (EN60044-1)

Class	Ratio error % ( $\pm$ )					Angle error ( $\pm$ )									
						Minutes					Centiradians				
	1% $I_n$	5% $I_n$	20% $I_n$	100% $I_n$	120% $I_n$	1% $I_n$	5% $I_n$	20% $I_n$	100% $I_n$	120% $I_n$	1% $I_n$	5% $I_n$	20% $I_n$	100% $I_n$	120% $I_n$
0,2s	0,75	0,35	0,2	0,2	0,2	30	15	10	10	10	0,9	0,45	0,3	0,3	0,3
0,5s	1,5	0,75	0,5	0,5	0,5	90	45	30	30	30	2,7	1,35	0,9	0,9	0,9
0,2		0,75	0,35	0,2	0,2		30	15	10	10		0,9	0,45	0,3	0,3

## Voltage transformers



- IME offer includes instrument transformers (class 0,5/1/) page 62, accuracy transformers (class 0,2) page 70, protection transformers (class 3P) page 62
- Reference standard EN60044-2
- Primary voltages ( $U_{pn}$ ) up to 1000V -  $100:\sqrt{3}V$
- Secondary voltage ( $U_{sn}$ ) 100V -  $100:\sqrt{3}V$  (other values upon request)
- Frequency 47...63Hz (other values upon request)
- Rated voltage factor: continuous rated duration  $1,2U_{pn}$   
rated duration 8 hours  $1,9U_{pn}$  (phase-neutral connection and primary  $U_{pn} : \sqrt{3}V$ )
- Insulation in air class B
- Highest insulation reference voltage ( $U_m$ ) 0,72kV for  $U_{pn} \leq 600V$
- Highest insulation reference voltage ( $U_m$ ) 1,2kV for  $U_{pn} > 600V$
- Rated insulation level 3kVrms 50Hz / 1 minute for  $U_{pn} \leq 600V$
- Rated insulation level 6kVrms 50Hz / 1 minute for  $U_{pn} > 600V$
- Terminal protection degree IP20
  - (for models BTV6/10/20/50/100 just with sealable terminal cover)
- Connectors marking:
  - primary A-B (phase-phase) / A-N (phase-neutral)
  - secondary a-b (phase-phase) / a-n (phase-neutral)
- Standard tropicalized / marine use execution



## Angle and ratio error limits for current transformers - Protection (EN60044-1)

Class	Ratio error % ( $\pm$ )	Angle error ( $\pm$ )		*Compound error % ( $\pm$ ) at primary limit current
		Minutes	Centiradians	
	100%I <sub>n</sub>	100%I <sub>n</sub>	100%I <sub>n</sub>	
5P	1	60	1,8	5

\* According to the models, the primary limit current corresponds to 5 - 10 - 15 - 20 times the primary rated current (I<sub>n</sub>).



NT 710

Current transformers should not work with the secondary winding open because of overvoltages potentially dangerous as well as overheating which may occur and consequently damage both the transformer and the connected devices. To obviate this problem, IME propose a new accessory **ATAP015** to be directly connected with the trans-

former secondary winding. This device is able to constantly detect the voltage at the terminals and if it reaches the threshold value (18V) because of a connection cutoff or the removal of the devices, it automatically closes the circuit, maintaining this situation until the standard working conditions are restored.

Ordering code	Description	Stock
<b>ATAP015</b>	accessory for protection current transformer secondary winding opening	•

## Absorbed power (VA) by tie cables between current transformer and meter

Section mm <sup>2</sup> Cu	*VA for meter of double pole cable at 20°C	
	Secondary 5A	Secondary 1A
1	1	0,04
1,5	0,685	0,0274
2,5	0,41	0,0164
4	0,254	0,0102
6	0,169	0,0068
10	0,0975	0,0039
16	0,062	0,0025

\* For each 10°C of attemperation, VA absorbed by the tie cables increase by 4%.

## Angle and ratio error limits for voltage transformers - Measurement (EN60044-2)

Class	Ratio error % ( $\pm$ )	Angle error ( $\pm$ )	
		Minutes	Centiradians
	80...120%U <sub>n</sub>	80...120%U <sub>n</sub>	80...120%U <sub>n</sub>
0,5	0,5	20	0,6
1	1,0	40	1,2

## Angle and ratio error limits for voltage transformers - Accuracy (EN60044-2)

Class	Ratio error % ( $\pm$ )	Angle error ( $\pm$ )	
		Minutes	Centiradians
	80...120%U <sub>n</sub>	80...120%U <sub>n</sub>	80...120%U <sub>n</sub>
0,2	0,2	10	0,3

## Angle and ratio error limits for voltage transformers - Protection (EN60044-2)

Class	Ratio error % ( $\pm$ )	Angle error ( $\pm$ )	
		Minutes	Centiradians
	*5...100%U <sub>n</sub> x Ft	*5...100%U <sub>n</sub> x Ft	*5...100%U <sub>n</sub> x Ft
3P	3,0	120	3,5

\* According to the voltage transformer connection (phase-phase or phase-neutral) the rated voltage factor (Ft) corresponds to 1,2 or 1,9 times the rated voltage (U<sub>pn</sub>).

# Reasuming table



Model	TAIBB	TAI200	TA221	TAI230	TAI233
Code	TABB...	TAIA...	TA221...	TAIC...	TAID...
Technical note	NT516	NT560	NT811	NT559	NT521
Type	passing primary winding	passing primary winding	passing primary winding	passing primary winding	passing primary winding
Width (mm)	44	56	49,5	56	56
Height (mm)	65	84	80	84	84
Cable (mm)	Ø21	Ø22	Ø21	Ø22	Ø22
Window (mm)	16x12,5	20x5	20,5x10,5	20,5x12,5 25,5x11,5 30,5x10,5	20,5x12,5 25,5x11,5 30,5x10,5

Primary current	VA			VA			VA			VA			VA		
	cl.0,5	cl.1	cl.3	cl.0,5	cl.1	cl.3	cl.0,5	cl.1	cl.3	cl.0,5	cl.1	cl.3	cl.0,5	cl.1	cl.3
40A	-	-	1										-	-	1,5
50A	-	1,25	1,5	-	-	2	-	-	2,5				-	-	2,5
60A	-	1,25	2	-	-	2,5	-	1,5	3				-	-	2,5
70A	-	1,5	2,5	-	-	3	-	1,5	4				-	-	3
75A	-	1,5	2,5	-	-	3	-	2	4				-	1,5	3,5
80A	-	1,5	2,5	-	-	3	-	3	4				-	1,5	4
100A	2	2,5	3,5	-	2	4	3	4	-				-	2,5	5
120A	2,5	3,5	4	-	3	5	3	4	-				-	3,5	5,5
125A	2,5	3,5	4	-	3	5	3	4	-				1	4	5,5
150A	3	4	5	2	4	6	4	6	-	-	-	1,5	1,5	5,5	6,5
160A	3	4	5	2	4	6	4	6	-	-	-	1,5	1,5	5,5	6,5
200A	4	5,5	6	3	6	8	6	8	-	-	2	3	4	7	8,5
250A	5	6	7	5	8	10	8	10	-	-	2	3	6	9	11
300A	6	7,5	8				8	10	-	2	3	4	7,5	11	14
400A										3	4	5	11	15	18
500A										4	5	6	12	18	22
600A										5	6	8	15	22	26
700A															
750A															
800A															
1000A															
1200A															
see page	12			13			13			14			14		



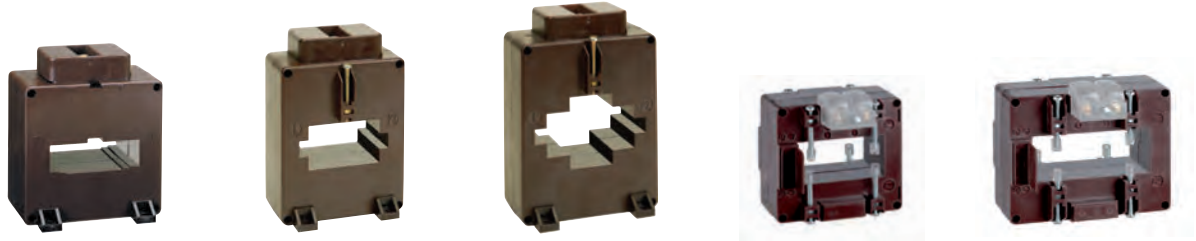
# Current transformers - Measuring



TA327	TA426	TAI400	TA432	TAI500	TA540
TA327... NT812	TA426... NT813	TAIG... NT524	TA432... NT814	TAIH... NT566	TA540... NT815
passing primary winding	passing primary winding	passing primary winding	passing primary winding	passing primary winding	passing primary winding
56	60	77	70	77	70
80	85	107	95	107	95
Ø27	Ø26	Ø35	Ø32		Ø40
25,5x15,5 32,5x10,5	32,5x15,5 40,5x12,5	40,5x10,5	25,5x25,5 32,5x20,5 40,5x10,5	51x12,5	40,5x20,5 50,5x12,5

VA			VA		VA			VA			VA			VA	
cl.0,5	cl.1	cl.3	cl.0,5	cl.1	cl.0,5	cl.1	cl.3	cl.0,5	cl.1	cl.3	cl.0,5	cl.1	cl.3	cl.0,5	cl.1
-	-	1,5			-	-	1,5								
-	-	2,5			-	-	2								
-	1,5	3			-	-	3								
-	1,5	3			-	-	3								
-	2,5	3,5			-	-	3								
1,5	3	-			-	1	4	-	2	5					
2	3,5	-			-	2	5	-	2	5					
2	3,5	-			-	2	6	-	2	6					
3	4	-	1,5	3	1	3	6	1	3	-					
3	5	-	1,5	3	1	3	6	1,5	3	-					
4	7	-	2,5	4	1,5	3	6	3	5	-					
6	8	-	3	4	2,5	5	8	3	5	-	-	-	3		
8	10	-	4	6	4	8	12	5	8	-	-	2	4	2	4
10	12	-	6	8	8	12	15	8	10	-	-	4	6	4	6
12	15	-	6	8	10	12	15	10	12	-	2	4	6	4	6
15	20	-	6	8	12	15	15	12	15	-	6	8	10	6	8
			8	10	10	12	12	10	12	-	8	10	12	8	10
			8	10	10	12	15	10	12	-	8	10	12	8	10
			10	12	10	12	15	10	12	-	8	10	12	8	12
					10	12	15	12	15	-	10	12	15	10	12
											12	15	20	12	15
15			15		16			17			16			17	

# Reasuming table

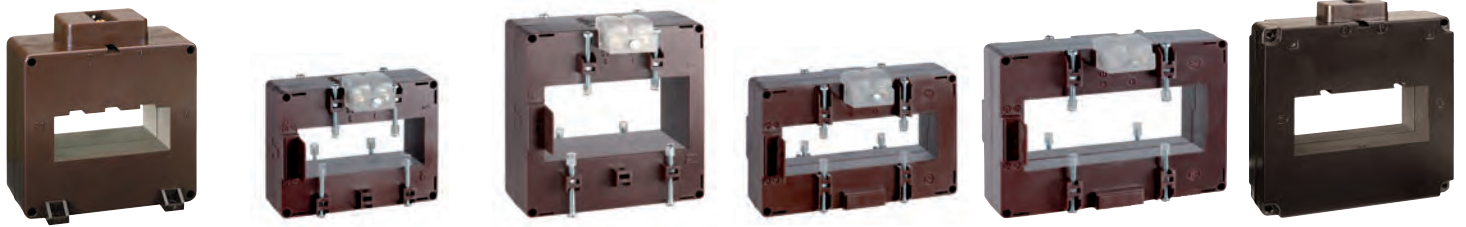


Model	TAS63	TAS64	TAS81	TAS65	TAS84
Code	TASH...	TASI...	TASN...	TASL...3	TASO...3
Technical note	NT567	NT569	NT573	NT518	NT574
Type	passing primary winding	passing primary winding	passing primary winding	passing primary winding	passing primary winding
Width (mm)	100	90	100	94	116
Height (mm)	117,5	130	145	90	96
Window (mm)	41x21 51x20 64x19	51x31 64x11	64x31 81x11	65x32	84x34

Primary current	VA		VA		VA		VA		VA	
	cl.0,5	cl.1	cl.0,5	cl.1	cl.0,5	cl.1	cl.0,5	cl.1	cl.0,5	cl.1
250A	2	5	-	2,5			1	4		
300A	3	6	-	3			1,5	6	-	2
400A	6	12	-	4	-	2	4	8	3	5
500A	6	12	2	4	2	4	8	10	5	7
600A	10	20	4	6	3	5	8	12	6	10
700A	12	25	6	8	4	6	10	12	6	10
750A	12	25	6	8	4	6	10	15	8	12
800A	12	25	6	8	4	6	12	15	8	12
1000A	15	30	8	10	6	8	15	20	10	15
1200A	20	40	10	12	8	10	15	20	12	15
1250A	20	40	10	12	8	10	15	20	12	15
1500A	20	40	10	12	10	12	20	25	15	20
1600A	20	40	10	12	10	12	20	25	15	20
2000A					10	12	20	25	20	25
2500A					10	12			25	30
3000A										
3200A										
4000A										
see page	18		18		19		19		20	



# Current transformers - Measuring



TAS80	TAS102	TAS102B	TAS127	TAS127B	TAS125
TASM...	TAMP...3	TAMQ...3	TASR...3	TASS...3	TASQ...
NT571	NT766	NT767	NT522	NT523	NT575
passing primary winding	passing primary winding	passing primary winding	passing primary winding	passing primary winding	passing primary winding
124	129	129	160	160	182
136	98	135	99	125	193
82x32	102x38	102x54	127x38	127x54	127x54

VA		VA		VA		VA		VA		VA	
cl.0,5	cl.1	cl.0,5	cl.1	cl.0,5	cl.1	cl.0,5	cl.1	cl.0,5	cl.1	cl.0,5	cl.1
-	6										
4	8										
8	16					-	3	1	7	3	6
10	20					2	4	3	10	6	12
15	30					4	6	5	12	15	30
20	40					4	8	8	15	20	40
20	40					4	8	10	15	20	40
20	40	8	10	10	12	4	8	10	15	20	40
20	40	10	12	12	15	6	10	12	20	20	40
25	50	12	15	15	20	8	12	15	25	25	50
25	50	12	15	15	20	8	12	15	25	25	50
40	80	12	15	20	25	10	15	20	30	40	80
40	80	12	15	20	25	10	15	20	30	40	80
50	100	20	25	20	25	15	20	25	30	50	100
60	120	20	25	25	30	20	25	30	50	60	120
		20	25	25	30	25	30	30	50	60	120
				25	30	25	30	30	50		
				30	40	25	30	30	50	100	200
20		21		21		22		23		22	

# Reasuming table



Model	TAS65	TAS84	TAS102	TAS102B	TAS127
Code	TASL...	TASO...	TAMP...	TAMQ...	TASR...
Technical note	NT518	NT574	NT766	NT767	NT522
Type	passing primary winding	passing primary winding	passing primary winding	passing primary winding	passing primary winding
Width (mm)	90	96	98	135	99
Height (mm)	94	116	129	129	160
Window (mm)	32x65	34x84	38x102	54x102	38x127

Primary current	VA		VA		VA		VA		VA	
	cl.0,5	cl.1	cl.0,5	cl.1	cl.0,5	cl.1	cl.0,5	cl.1	cl.0,5	cl.1
250A	1	4								
300A	1,5	6	-	2						
400A	4	8	3	5					-	3
500A	8	10	5	7					2	4
600A	8	12	6	10					4	6
700A	10	12	6	10					4	8
750A	10	15	8	12					4	8
800A	12	15	8	12	8	10	10	12	4	8
1000A	15	20	10	15	10	12	12	15	6	10
1200A	15	20	12	15	12	15	15	20	8	12
1250A	15	20	12	15	12	15	15	20	8	12
1500A	20	25	15	20	12	15	20	25	10	15
1600A	20	25	15	20	12	15	20	25	10	15
2000A	20	25	20	25	20	25	20	25	15	20
2500A			25	30	20	25	25	30	20	25
3000A					20	25	25	30	25	30
3200A							25	30	25	30
4000A							30	40	25	30
5000A										
6000A										
8000A										
see page	24		24		25		25		26	





# Current transformers - Measuring



TAS127B		TAU9		TAU10		TAU11		TAU12		TAU13	
TASS...		TAUB...		TAUC...		TAUD...		TAUE...		TAUF...	
NT523		NT520		NT717		NT719		NT819		NT820	
passing primary winding		passing primary winding		passing primary winding		passing primary winding		passing primary winding		passing primary winding	
125		177		257		257		177		257	
160		273,5		233,5		273,5		333,5		333,5	
54x127		55x165		120x125		120x165		55x225		120x225	
VA		VA		VA		VA		VA		VA	
cl.0,5    cl.1		cl.0,5		cl.0,5		cl.0,5		cl.0,5		cl.0,5	
1    7											
3    10											
5    12											
8    15											
10    15											
10    15											
12    20											
15    25											
15    25											
20    30		20		20		20					
20    30											
25    30		30		30		30					
30    50		40		40		40		40		40	
30    50		40		40		40		40		40	
30    50											
30    50		50		50		50		50		50	
		60		60		60		60		60	
				70		70		70		70	
				70		70		70		70	
27		28		28		28		29		29	

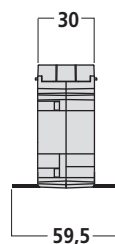
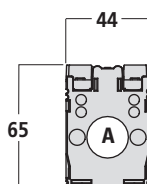
# Reasuming table



Model	TAQ1	TAQ2	TAQ6	TAQ10	TAQ20	TAC80
Code	TAQE...	TAQA...	TAQB...	TAQC...	TAQD...	TA08...
Technical note	NT725	NT726	NT727	NT728	NT729	NT712
Type	wound primary winding	wound primary winding	wound primary winding	wound primary winding	wound primary winding	passing primary winding
Width (mm)	65	65	65	85	110	125
Height (mm)	92	92	92	102,5	140	132
Cable (mm)						Ø80
Window (mm)						

Primary current	VA		VA		VA		VA		VA		VA		
	cl.1	cl.0,5	cl.1	cl.0,5	cl.1	cl.0,5	cl.1	cl.0,5	cl.1	cl.0,5	cl.1	cl.3	
5A	3	2	4	6	10	10	15	20	40				
10A	3	2	4	6	10	10	15	20	40				
15A	3	2	4	6	10	10	15	20	40				
20A	3	2	4	6	10	10	15	20	40				
25A	3	2	4	6	10	10	15	20	40				
30A	3	2	4	6	10	10	15	20	40				
40A	3	2	4	6	10	10	15	20	40				
50A	3	2	4	6	10	10	15	20	40				
60A	3	2	4	6	10	10	15	20	40				
70A		2	4	6	10	10	15	20	40				
75A		2	4	6	10	10	15	20	40				
80A		2	4	6	10	10	15	20	40				
100A				6	10	10	15	20	40				
120A						10	15	20	40				
150A						10	15	20	40				
200A						10	15	20	40	1,5	3	5	
250A						10	15	20	40	2	4	6	
300A						10	15	20	40	2,5	5	7	
400A								20	40	3	5	8	
500A								20	40	3	5	8	
600A								20	40	4	6	8	
800A										4	6	8	
1000A										6	8	10	
1200A													
1500A													
2000A													
2500A													
3000A													
4000A													
5000A													
see page	31	31	32	32	33	33	30						





Bar 16 x 12,5

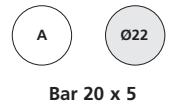
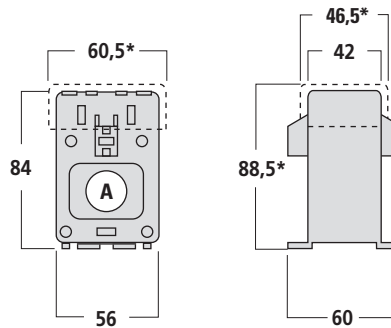
NT 516

**TAIBB**

Primary current	Burden VA			Secondary 5A			Secondary 1A			UTF(cl.0,5) certification	
	cl.0,5	cl.1	cl.3	Ordering code	Stock		Ordering code	Stock			
40A			1	TABB50B400	•		TABB10B400	•			
50A		1,25	1,5	TABB50B500	•		TABB10B500	•			
60A		1,25	2	TABB50B600	•		TABB10B600	•			
70A		1,5	2,5	TABB50B700	•		TABB10B700	•			
75A		1,5	2,5	TABB50B750	•		TABB10B750	•			
80A		1,5	2,5	TABB50B800	•		TABB10B800	•			
100A	2	2,5	3,5	TABB50C100	•		TABB10C100	•			
120A	2,5	3,5	4	TABB50C120	•		TABB10C120	•			
125A	2,5	3,5	4	TABB50C125	•		TABB10C125	•			
150A	3	4	5	TABB50C150	•		TABB10C150	•		•	
160A	3	4	5	TABB50C160	•		TABB10C160	•		•	
200A	4	5,5	6	TABB50C200	•		TABB10C200	•		•	
250A	5	6	7	TABB50C250	•					•	
300A	6	7,5	8	TABB50C300	•					•	
accessory	sealable terminal cover						ATACOP12	•			



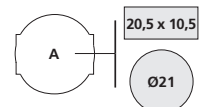
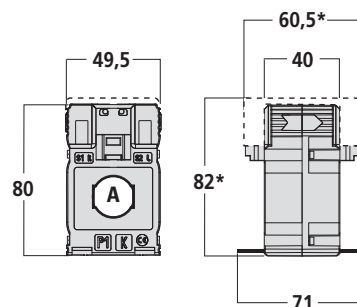
# Current transformers - Measuring



NT 560

## TAI200

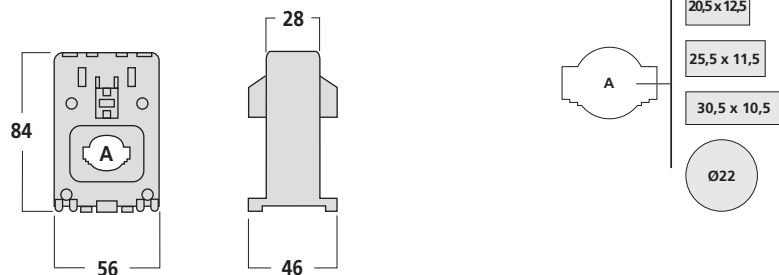
Primary current	Burden VA			Secondary 5A			Secondary 1A			UTF(cl.0,5) certification
	cl.0,5	cl.1	cl.3	Ordering code	Stock		Ordering code	Stock		
50A			2	TAIA50B500	•		TAIA10B500	•		
60A			2,5	TAIA50B600	•		TAIA10B600	•		
70A			3	TAIA50B700	•		TAIA10B700	•		
75A			3	TAIA50B750	•		TAIA10B750	•		
80A			3	TAIA50B800	•		TAIA10B800	•		
100A		2	4	TAIA50C100	•		TAIA10C100	•		
120A		3	5	TAIA50C120	•		TAIA10C120	•		
125A		3	5	TAIA50C125	•		TAIA10C125	•		
150A	2	4	6	TAIA50C150	•		TAIA10C150	•		
160A	2	4	6	TAIA50C160	•		TAIA10C160	•		
200A	3	6	8	TAIA50C200	•		TAIA10C200	•		•
250A	5	8	10	TAIA50C250	•		TAIA10C250	•		•
accessory	*sealable terminal cover						ATACOP01	•		



NT 811

## TA221

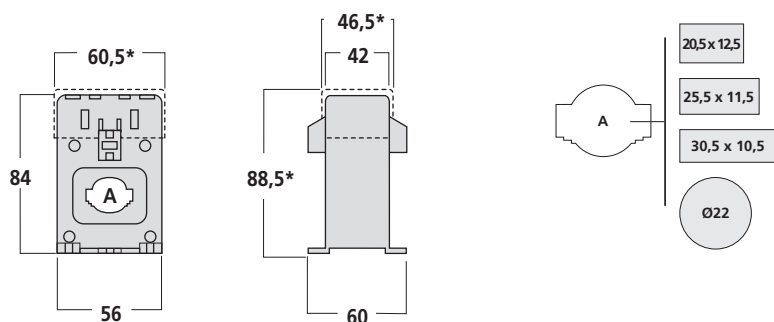
Primary current	Burden VA			Secondary 5A			Secondary 1A			UTF(cl.0,5) certification
	cl.0,5	cl.1	cl.3	Ordering code	Stock		Ordering code	Stock		
50A			2,5	TA22150B500	•		TA22110B500			
60A		1,5	3	TA22150B600	•		TA22110B600			
70A		1,5	4	TA22150B700	•		TA22110B700			
75A		2	4	TA22150B750	•		TA22110B750			
80A		3	4	TA22150B800	•		TA22110B800			
100A	3	4		TA22150C100	•		TA22110C100			•
120A	3	4		TA22150C120	•		TA22110C120			•
125A	3	4		TA22150C125	•		TA22110C125			•
150A	4	6		TA22150C150	•		TA22110C150			•
160A	4	6		TA22150C160	•		TA22110C160			•
200A	6	8		TA22150C200	•		TA22110C200			•
250A	8	10		TA22150C250	•		TA22110C250			•
300A	8	10		TA22150C300	•		TA22110C300			•
accessory	*sealable terminal cover						ATACOP13	•		



NT 559

**TAI230**

Primary current	Burden VA			Secondary 5A		Secondary 1A		UTF(cl.0,5) certification
	cl.0,5	cl.1	cl.3	Ordering code	Stock	Ordering code	Stock	
150A			1,5	TAIC50C150	•	TAIC10C150		
160A			1,5	TAIC50C160	•	TAIC10C160		
200A		2	3	TAIC50C200	•	TAIC10C200		
250A		2	3	TAIC50C250	•	TAIC10C250		
300A	2	3	4	TAIC50C300	•	TAIC10C300		
400A	3	4	5	TAIC50C400	•	TAIC10C400		
500A	4	5	6	TAIC50C500	•	TAIC10C500		
600A	5	6	8	TAIC50C600	•	TAIC10C600		



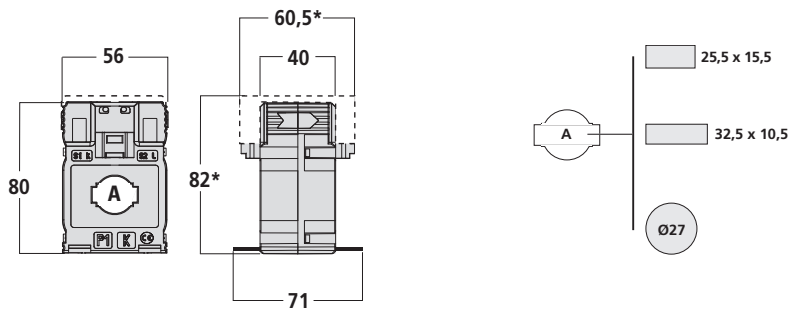
NT 521

**TAI233**

Primary current	Burden VA			Secondary 5A		Secondary 1A		UTF(cl.0,5) certification	
	cl.0,5	cl.1	cl.3	Ordering code	Stock	Ordering code	Stock		
40A			1,5	TAID50B400	•	TAID10B400	•		
50A			2,5	TAID50B500	•	TAID10B500	•		
60A			2,5	TAID50B600	•	TAID10B600	•		
70A			3	TAID50B700	•	TAID10B700	•		
75A		1,5	3,5	TAID50B750	•	TAID10B750	•		
80A		1,5	4	TAID50B800	•	TAID10B800	•		
100A		2,5	5	TAID50C100	•	TAID10C100	•		
120A		3,5	5,5	TAID50C120	•	TAID10C120	•		
125A	1	4	5,5	TAID50C125	•	TAID10C125	•		
150A	1,5	5,5	6,5	TAID50C150	•	TAID10C150	•		
160A	1,5	5,5	6,5	TAID50C160	•	TAID10C160	•		
200A	4	7	8,5	TAID50C200	•	TAID10C200	•	•	
250A	6	9	11	TAID50C250	•	TAID10C250	•	•	
300A	7,5	11	14	TAID50C300	•	TAID10C300	•	•	
400A	11	15	18	TAID50C400	•	TAID10C400	•	•	
500A	12	18	22	TAID50C500	•	TAID10C500	•	•	
600A	15	22	26	TAID50C600	•	TAID10C600	•	•	
accessory	*sealable terminal cover					ATACOP01	•		



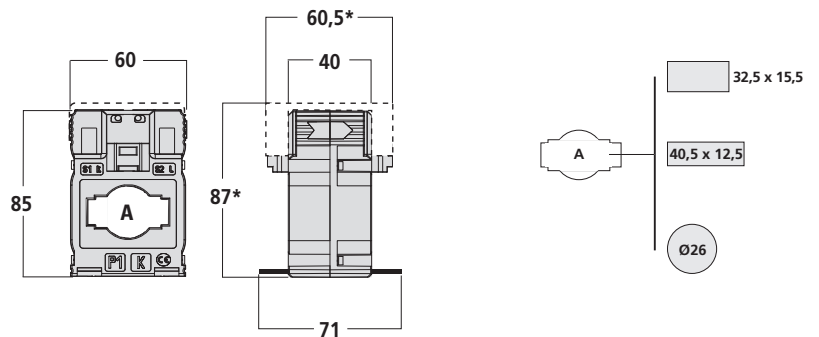
# Current transformers - Measuring



NT 812

## TA327

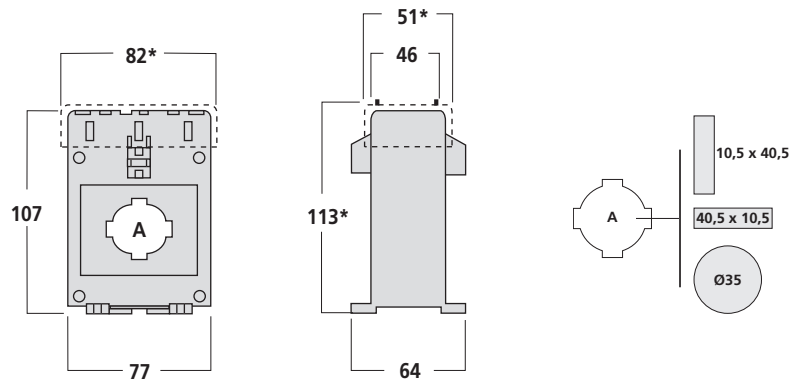
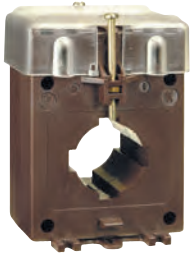
Primary current	Burden VA			Secondary 5A			Secondary 1A			UTF(cl.0,5) certification
	cl.0,5	cl.1	cl.3	Ordering code	Stock		Ordering code	Stock		
50A			1,5	TA32750B500	•		TA32710B500	•		
60A			2,5	TA32750B600	•		TA32710B600	•		
70A		1,5	3	TA32750B700	•		TA32710B700	•		
75A		1,5	3	TA32750B750	•		TA32710B750	•		
80A		2,5	3,5	TA32750B800	•		TA32710B800	•		
100A	1,5	3		TA32750C100	•		TA32710C100	•		
120A	2	3,5		TA32750C120	•		TA32710C120	•		
125A	2	3,5		TA32750C125	•		TA32710C125	•		
150A	3	4		TA32750C150	•		TA32710C150	•		•
160A	3	5		TA32750C160	•		TA32710C160	•		•
200A	4	7		TA32750C200	•		TA32710C200	•		•
250A	6	8		TA32750C250	•		TA32710C250	•		•
300A	8	10		TA32750C300	•		TA32710C300	•		•
400A	10	12		TA32750C400	•		TA32710C400	•		•
500A	12	15		TA32750C500	•		TA32710C500	•		•
600A	15	20		TA32750C600	•		TA32710C600	•		•
accessory	*sealable terminal cover						ATACOP13	•		



NT 813

## TA426

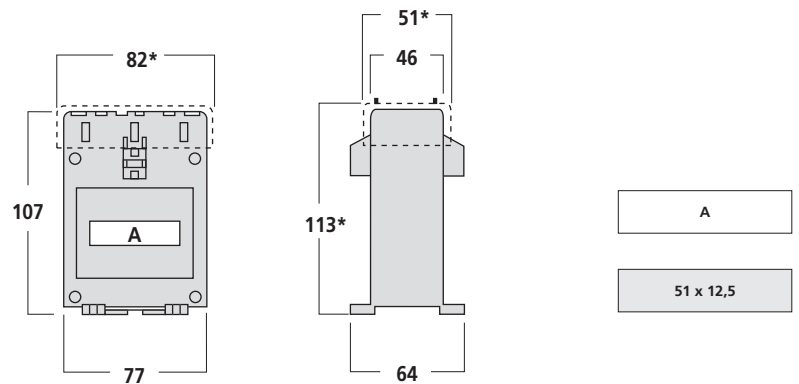
Primary current	Burden VA			Secondary 5A			Secondary 1A			UTF(cl.0,5) certification
	cl.0,5	cl.1	cl.3	Ordering code	Stock		Ordering code	Stock		
150A	1,5	3		TA42650C150	•		TA42610C150			
160A	1,5	3		TA42650C160	•		TA42610C160			
200A	2,5	4		TA42650C200	•		TA42610C200			
250A	3	4		TA42650C250	•		TA42610C250			•
300A	4	6		TA42650C300	•		TA42610C300			•
400A	6	8		TA42650C400	•		TA42610C400			•
500A	6	8		TA42650C500	•		TA42610C500			•
600A	6	8		TA42650C600	•		TA42610C600			•
700A	8	10		TA42650C700	•		TA42610C700			•
750A	8	10		TA42650C750	•		TA42610C750			•
800A	10	12		TA42650C800	•		TA42610C800			•
accessory	*sealable terminal cover						ATACOP13	•		



NT 524

**TAI400**

Primary current	Burden VA			Secondary 5A		Secondary 1A		UTF(cl.0,5) certification	
	cl.0,5	cl.1	cl.3	Ordering code	Stock	Ordering code	Stock		
50A			1,5	TAIG50B500	•	TAIG10B500	•		
60A			2	TAIG50B600	•	TAIG10B600	•		
70A			3	TAIG50B700		TAIG10B700			
75A			3	TAIG50B750		TAIG10B750			
80A			3	TAIG50B800	•	TAIG10B800	•		
100A		1	4	TAIG50C100	•	TAIG10C100	•		
120A		2	5	TAIG50C120	•	TAIG10C120			
125A		2	6	TAIG50C125	•	TAIG10C125			
150A	1	3	6	TAIG50C150	•	TAIG10C150	•		
160A	1	3	6	TAIG50C160	•	TAIG10C160			
200A	1,5	3	6	TAIG50C200	•	TAIG10C200	•		
250A	2,5	5	8	TAIG50C250	•	TAIG10C250	•		
300A	4	8	12	TAIG50C300	•	TAIG10C300	•	•	
400A	8	12	15	TAIG50C400	•	TAIG10C400	•	•	
500A	10	12	15	TAIG50C500	•	TAIG10C500	•	•	
600A	12	15	15	TAIG50C600	•	TAIG10C600	•	•	
700A	10	12	12	TAIG50C700	•	TAIG10C700		•	
750A	10	12	15	TAIG50C750	•	TAIG10C750		•	
800A	10	12	15	TAIG50C800	•	TAIG10C800	•	•	
1000A	10	12	15	TAIG50D100	•	TAIG10D100	•	•	
accessory	*sealable terminal cover					ATACOP02	•		



NT 566

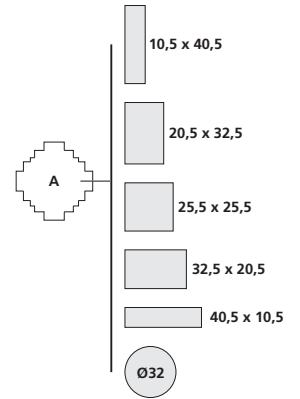
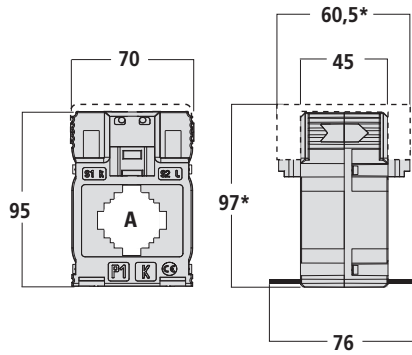
**TAI500**

Primary current	Burden VA			Secondary 5A		Secondary 1A		UTF(cl.0,5) certification	
	cl.0,5	cl.1	cl.3	Ordering code	Stock	Ordering code	Stock		
250A			3	TAIH50C250	•	TAIH10C250			
300A		2	4	TAIH50C300	•	TAIH10C300			
400A		4	6	TAIH50C400	•	TAIH10C400			
500A	2	4	6	TAIH50C500	•	TAIH10C500			
600A	6	8	10	TAIH50C600	•	TAIH10C600	•	•	
700A	8	10	12	TAIH50C700	•	TAIH10C700		•	
750A	8	10	12	TAIH50C750		TAIH10C750		•	
800A	8	10	12	TAIH50C800	•	TAIH10C800	•	•	
1000A	10	12	15	TAIH50D100	•	TAIH10D100	•	•	
1200A	12	15	20	TAIH50D120	•	TAIH10D120	•	•	
accessory	*sealable terminal cover					ATACOP02	•		





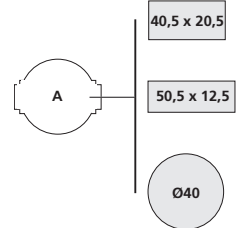
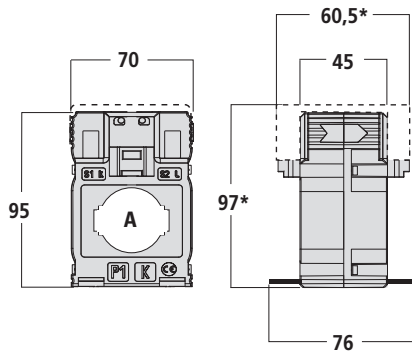
# Current transformers - Measuring



NT 814

## TA432

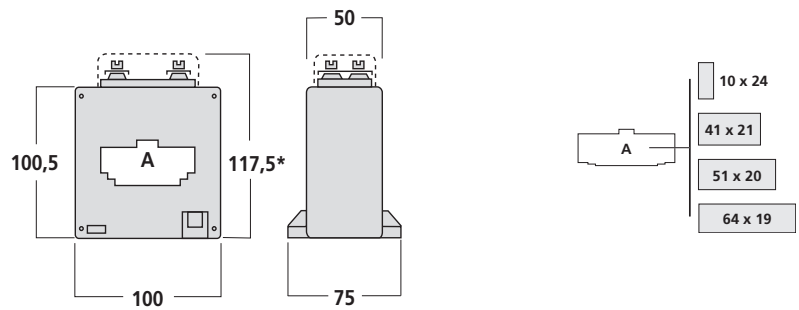
Primary current	Burden VA			Secondary 5A			Secondary 1A			UTF(d.0,5) certification
	cl.0,5	cl.1	cl.3	Ordering code	Stock		Ordering code	Stock		
100A		2	5	TA43250C100	•		TA43210C100			
120A		2	5	TA43250C120	•		TA43210C120			
125A		2	6	TA43250C125	•		TA43210C125			
150A	1	3		TA43250C150	•		TA43210C150			
160A	1,5	3		TA43250C160	•		TA43210C160			
200A	3	5		TA43250C200	•		TA43210C200			•
250A	3	5		TA43250C250	•		TA43210C250	•		•
300A	5	8		TA43250C300	•		TA43210C300	•		•
400A	8	10		TA43250C400	•		TA43210C400	•		•
500A	10	12		TA43250C500	•		TA43210C500	•		•
600A	12	15		TA43250C600	•		TA43210C600	•		•
700A	10	12		TA43250C700	•		TA43210C700			•
750A	10	12		TA43250C750	•		TA43210C750			•
800A	10	12		TA43250C800	•		TA43210C800	•		•
1000A	12	15		TA43250D100	•		TA43210D100	•		•
accessory	*sealable terminal cover						ATACOP13	•		



NT 815

## TA540

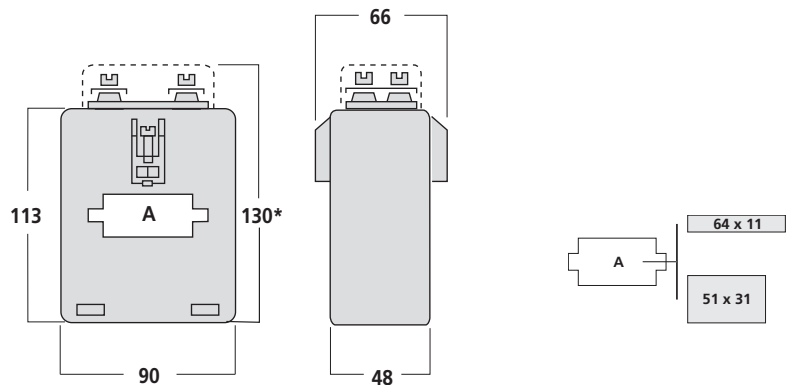
Primary current	Burden VA		Secondary 5A			Secondary 1A			UTF(d.0,5) certification
	cl.0,5	cl.1	Ordering code	Stock		Ordering code	Stock		
300A	2	4	TA54050C300	•		TA54010C300			
400A	4	6	TA54050C400	•		TA54010C400			
500A	4	6	TA54050C500	•		TA54010C500			
600A	6	8	TA54050C600	•		TA54010C600	•		•
700A	8	10	TA54050C700	•		TA54010C700			•
750A	8	10	TA54050C750	•		TA54010C750			•
800A	8	12	TA54050C800	•		TA54010C800	•		•
1000A	10	12	TA54050D100	•		TA54010D100	•		•
1200A	12	15	TA54050D120	•		TA54010D120	•		•
accessory	*sealable terminal cover						ATACOP13	•	



NT 567

**TAS63**

Primary current	Burden VA		Secondary 5A		Secondary 1A		UTF(cl.0,5) certification
	cl.0,5	cl.1	Ordering code	Stock	Ordering code	Stock	
250A	2	5	TASH50C250		TASH10C250		
300A	3	6	TASH50C300		TASH10C300		•
400A	6	12	TASH50C400	•	TASH10C400		•
500A	6	12	TASH50C500	•	TASH10C500		•
600A	10	20	TASH50C600	•	TASH10C600		•
700A	12	25	TASH50C700		TASH10C700		•
750A	12	25	TASH50C750		TASH10C750		•
800A	12	25	TASH50C800	•	TASH10C800	•	•
1000A	15	30	TASH50D100	•	TASH10D100	•	•
1200A	20	40	TASH50D120	•	TASH10D120		•
1250A	20	40	TASH50D125	•	TASH10D125		•
1500A	20	40	TASH50D150	•	TASH10D150	•	•
1600A	20	40	TASH50D160		TASH10D160		•
accessory	*sealable terminal cover				ATACOP03	•	



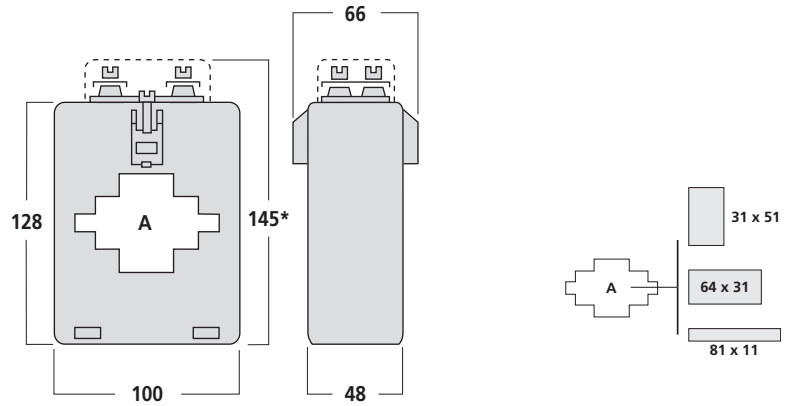
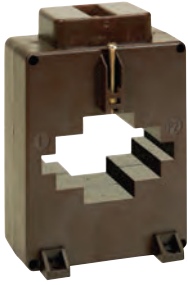
NT 569

**TAS64**

Primary current	Burden VA		Secondary 5A		Secondary 1A		UTF(cl.0,5) certification
	cl.0,5	cl.1	Ordering code	Stock	Ordering code	Stock	
250A		2,5	TASI50C250		TASI10C250		
300A		3	TASI50C300		TASI10C300		
400A		4	TASI50C400	•	TASI10C400		
500A	2	4	TASI50C500	•	TASI10C500		
600A	4	6	TASI50C600	•	TASI10C600	•	•
700A	6	8	TASI50C700		TASI10C700		•
750A	6	8	TASI50C750		TASI10C750		•
800A	6	8	TASI50C800	•	TASI10C800	•	•
1000A	8	10	TASI50D100	•	TASI10D100	•	•
1200A	10	12	TASI50D120	•	TASI10D120		•
1250A	10	12	TASI50D125	•	TASI10D125	•	•
1500A	10	12	TASI50D150	•	TASI10D150	•	•
1600A	10	12	TASI50D160	•	TASI10D160	•	•
accessory	*sealable terminal cover				ATACOP03	•	



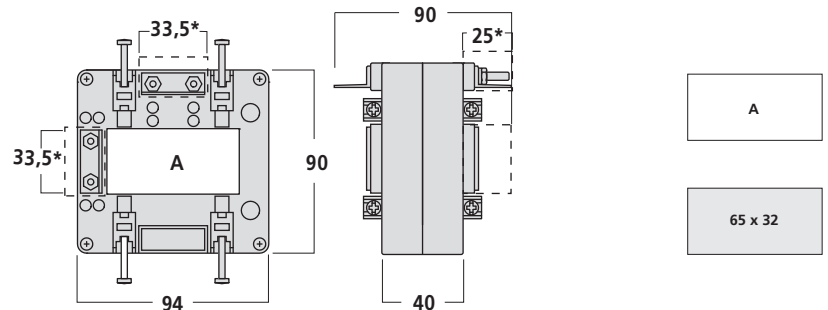
# Current transformers - Measuring



NT 573

## TAS81

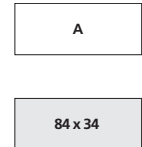
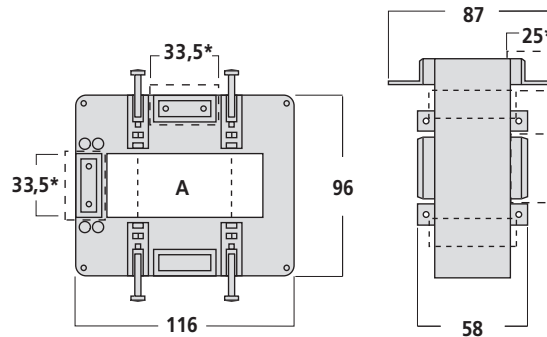
Primary current	Burden VA		Secondary 5A			Secondary 1A			UTF(c.l.0,5) certification
	c.l.0,5	c.l.1	Ordering code	Stock		Ordering code	Stock		
400A		2	TASN50C400			TASN10C400			
500A	2	4	TASN50C500			TASN10C500			
600A	3	5	TASN50C600	•		TASN10C600			•
700A	4	6	TASN50C700			TASN10C700			•
750A	4	6	TASN50C750			TASN10C750			•
800A	4	6	TASN50C800	•		TASN10C800			•
1000A	6	8	TASN50D100	•		TASN10D100	•		•
1200A	8	10	TASN50D120	•		TASN10D120			•
1250A	8	10	TASN50D125	•		TASN10D125			•
1500A	10	12	TASN50D150	•		TASN10D150	•		•
1600A	10	12	TASN50D160	•		TASN10D160			•
2000A	10	12	TASN50D200	•		TASN10D200	•		•
2500A	10	12	TASN50D250	•		TASN10D250	•		•
accessory	*sealable terminal cover					ATACOP03	•		



NT 518

## TAS65

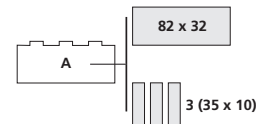
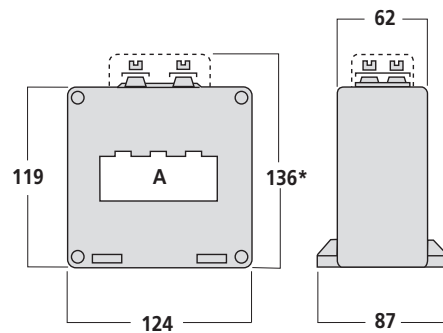
Primary current	Burden VA		Secondary 5A			Secondary 1A			UTF(c.l.0,5) certification
	c.l.0,5	c.l.1	Ordering code	Stock		Ordering code	Stock		
250A	1	4	TASL50C2503			TASL10C2503			
300A	1,5	6	TASL50C3003	•		TASL10C3003			
400A	4	8	TASL50C4003			TASL10C4003			•
500A	8	10	TASL50C5003	•		TASL10C5003			•
600A	8	12	TASL50C6003	•		TASL10C6003			•
700A	10	12	TASL50C7003			TASL10C7003			•
750A	10	15	TASL50C7503	•		TASL10C7503			•
800A	12	15	TASL50C8003	•		TASL10C8003			•
1000A	15	20	TASL50D1003	•		TASL10D1003			•
1200A	15	20	TASL50D1203	•		TASL10D1203			•
1250A	15	20	TASL50D1253	•		TASL10D1253			•
1500A	20	25	TASL50D1503	•		TASL10D1503			•
1600A	20	25	TASL50D1603	•		TASL10D1603	•		•
2000A	20	25	TASL50D2003	•		TASL10D2003			•
accessory	*sealable terminal cover					ATACOP04	•		



NT 574

**TAS84**  
terminals on long side

Primary current	Burden VA		Secondary 5A		Secondary 1A		UTF(cl.0,5) certification
	cl.0,5	cl.1	Ordering code	Stock	Ordering code	Stock	
300A		2	TASO50C3003		TASO10C3003		
400A	3	5	TASO50C4003		TASO10C4003		•
500A	5	7	TASO50C5003		TASO10C5003		•
600A	6	10	TASO50C6003		TASO10C6003		•
700A	6	10	TASO50C7003		TASO10C7003		•
750A	8	12	TASO50C7503		TASO10C7503		•
800A	8	12	TASO50C8003	•	TASO10C8003		•
1000A	10	15	TASO50D1003	•	TASO10D1003		•
1200A	12	15	TASO50D1203		TASO10D1203		•
1250A	12	15	TASO50D1253		TASO10D1253		•
1500A	15	20	TASO50D1503	•	TASO10D1503		•
1600A	15	20	TASO50D1603	•	TASO10D1603		•
2000A	20	25	TASO50D2003	•	TASO10D2003		•
2500A	25	30	TASO50D2503	•	TASO10D2503		•
accessory	*sealable terminal cover				ATACOP04	•	



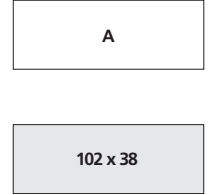
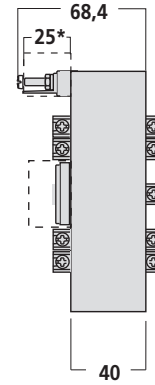
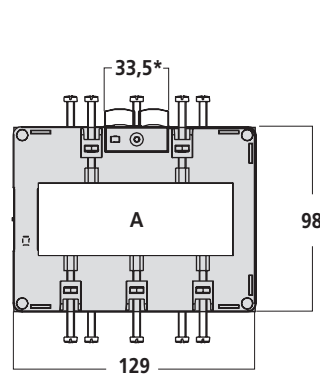
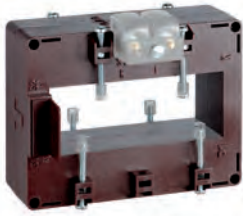
NT 571

**TAS80**

Primary current	Burden VA		Secondary 5A		Secondary 1A		UTF(cl.0,5) certification
	cl.0,5	cl.1	Ordering code	Stock	Ordering code	Stock	
250A		6	TASM50C250		TASM10C250		
300A	4	8	TASM50C300		TASM10C300		•
400A	8	16	TASM50C400	•	TASM10C400		•
500A	10	20	TASM50C500	•	TASM10C500		•
600A	15	30	TASM50C600	•	TASM10C600		•
700A	20	40	TASM50C700		TASM10C700		•
750A	20	40	TASM50C750		TASM10C750		•
800A	20	40	TASM50C800	•	TASM10C800		•
1000A	20	40	TASM50D100	•	TASM10D100		•
1200A	25	50	TASM50D120	•	TASM10D120		•
1250A	25	50	TASM50D125		TASM10D125		•
1500A	40	80	TASM50D150	•	TASM10D150		•
1600A	40	80	TASM50D160	•	TASM10D160		•
2000A	50	100	TASM50D200	•	TASM10D200		•
2500A	60	120	TASM50D250	•	TASM10D250		•
accessory	*sealable terminal cover				ATACOP03	•	



# Current transformers - Measuring

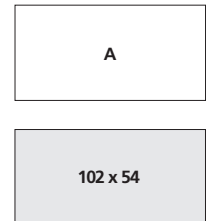
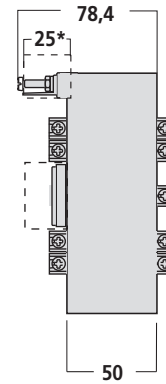
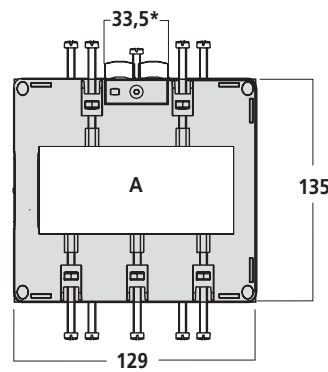


NT 766

## TAS102

terminals on long side

Primary current	Burden VA		Secondary 5A			Secondary 1A			UTF(d.0,5) certification
	cl.0,5	cl.1	Ordering code	Stock		Ordering code	Stock		
800A	8	10	TAMP50C8003	•		TAMP10C8003			•
1000A	10	12	TAMP50D1003	•		TAMP10D1003			•
1200A	12	15	TAMP50D1203	•		TAMP10D1203			•
1250A	12	15	TAMP50D1253	•		TAMP10D1253			•
1500A	12	15	TAMP50D1503	•		TAMP10D1503			•
1600A	12	15	TAMP50D1603	•		TAMP10D1603			•
2000A	20	25	TAMP50D2003	•		TAMP10D2003	•		•
2500A	20	25	TAMP50D2503	•		TAMP10D2503	•		•
3000A	20	25	TAMP50D3003	•		TAMP10D3003	•		•
accessory	*sealable terminal cover					ATACOP04	•		

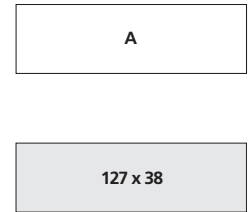
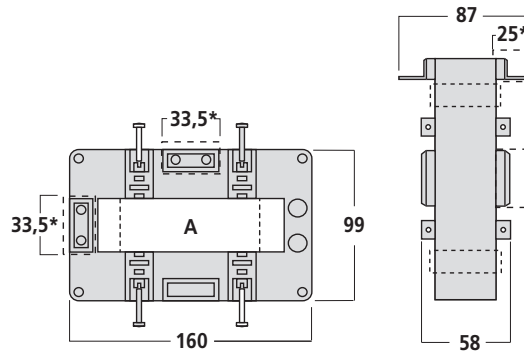


NT 767

## TAS102B

terminals on long side

Primary current	Burden VA		Secondary 5A			Secondary 1A			UTF(d.0,5) certification
	cl.0,5	cl.1	Ordering code	Stock		Ordering code	Stock		
800A	10	12	TAMQ50C8003			TAMQ10C8003			•
1000A	12	15	TAMQ50D1003			TAMQ10D1003			•
1200A	15	20	TAMQ50D1203			TAMQ10D1203			•
1250A	15	20	TAMQ50D1253			TAMQ10D1253			•
1500A	20	25	TAMQ50D1503			TAMQ10D1503			•
1600A	20	25	TAMQ50D1603			TAMQ10D1603			•
2000A	20	25	TAMQ50D2003	•		TAMQ10D2003			•
2500A	25	30	TAMQ50D2503	•		TAMQ10D2503			•
3000A	25	30	TAMQ50D3003	•		TAMQ10D3003			•
3200A	25	30	TAMQ50D3203	•		TAMQ10D3203			•
4000A	30	40	TAMQ50D4003	•		TAMQ10D4003			•
accessory	*sealable terminal cover					ATACOP04	•		

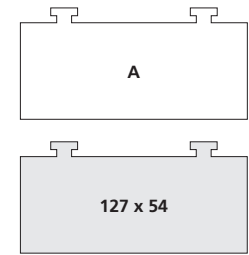
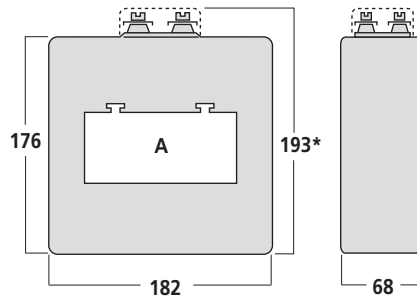


NT 522

**TAS127**

terminals on long side

Primary current	Burden VA		Secondary 5A			Secondary 1A			UTF(cl.0,5) certification
	cl.0,5	cl.1	Ordering code	Stock		Ordering code	Stock		
400A		3	TASR50C4003			TASR10C4003			
500A	2	4	TASR50C5003			TASR10C5003			
600A	4	6	TASR50C6003			TASR10C6003			•
700A	4	8	TASR50C7003			TASR10C7003			•
750A	4	8	TASR50C7503			TASR10C7503			•
800A	4	8	TASR50C8003			TASR10C8003			•
1000A	6	10	TASR50D1003			TASR10D1003			•
1200A	8	12	TASR50D1203			TASR10D1203			•
1250A	8	12	TASR50D1253			TASR10D1253			•
1500A	10	15	TASR50D1503			TASR10D1503			•
1600A	10	15	TASR50D1603			TASR10D1603			•
2000A	15	20	TASR50D2003			TASR10D2003			•
2500A	20	25	TASR50D2503	•		TASR10D2503			•
3000A	25	30	TASR50D3003	•		TASR10D3003			•
3200A	25	30	TASR50D3203	•		TASR10D3203			•
4000A	25	30	TASR50D4003			TASR10D4003			
accessory	*sealable terminal cover					ATACOP04	•		



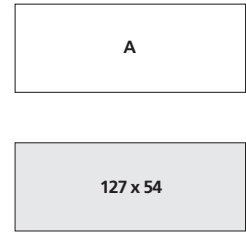
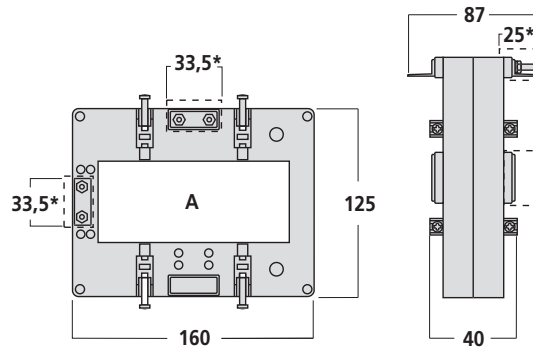
NT 575

**TAS125**

Primary current	Burden VA		Secondary 5A			Secondary 1A			UTF(cl.0,5) certification
	cl.0,5	cl.1	Ordering code	Stock		Ordering code	Stock		
400A	3	6	TASQ50C400			TASQ10C400			•
500A	6	12	TASQ50C500			TASQ10C500			•
600A	15	30	TASQ50C600			TASQ10C600			•
700A	20	40	TASQ50C700			TASQ10C700			•
750A	20	40	TASQ50C750			TASQ10C750			•
800A	20	40	TASQ50C800			TASQ10C800			•
1000A	20	40	TASQ50D100	•		TASQ10D100			•
1200A	25	50	TASQ50D120			TASQ10D120			•
1250A	25	50	TASQ50D125			TASQ10D125			•
1500A	40	80	TASQ50D150	•		TASQ10D150			•
1600A	40	80	TASQ50D160			TASQ10D160			•
2000A	50	100	TASQ50D200	•		TASQ10D200	•		•
2500A	60	120	TASQ50D250	•		TASQ10D250	•		•
3000A	60	120	TASQ50D300	•		TASQ10D300	•		•
4000A	100	200	TASQ50D400	•		TASQ10D400	•		•
accessory	*sealable terminal cover					ATACOP03	•		



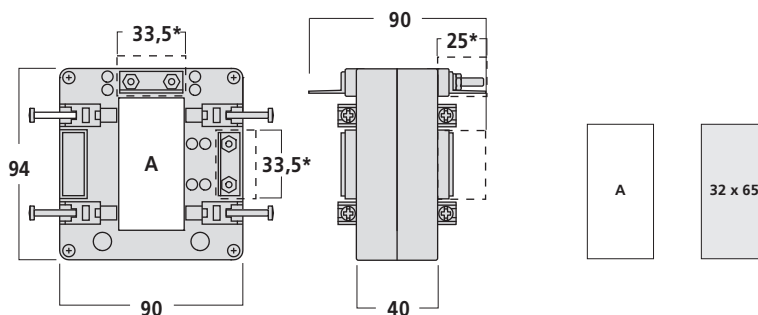
# Current transformers - Measuring



NT 523

**TAS127B**  
terminals on long side

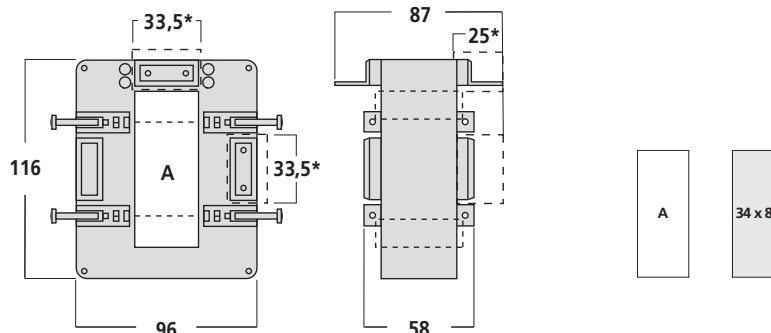
Primary current	Burden VA		Secondary 5A			Secondary 1A			UTF(d.0,5) certification
	c.l.0,5	c.l.1	Ordering code	Stock		Ordering code	Stock		
400A	1	7	TASS50C4003			TASS10C4003			
500A	3	10	TASS50C5003			TASS10C5003			•
600A	5	12	TASS50C6003			TASS10C6003			•
700A	8	15	TASS50C7003			TASS10C7003			•
750A	10	15	TASS50C7503			TASS10C7503			•
800A	10	15	TASS50C8003			TASS10C8003			•
1000A	12	20	TASS50D1003			TASS10D1003			•
1200A	15	25	TASS50D1203			TASS10D1203			•
1250A	15	25	TASS50D1253			TASS10D1253			•
1500A	20	30	TASS50D1503			TASS10D1503			•
1600A	20	30	TASS50D1603	•		TASS10D1603			•
2000A	25	30	TASS50D2003	•		TASS10D2003			•
2500A	30	50	TASS50D2503	•		TASS10D2503			•
3000A	30	50	TASS50D3003	•		TASS10D3003			•
3200A	30	50	TASS50D3203	•		TASS10D3203			•
4000A	30	50	TASS50D4003	•		TASS10D4003			•
accessory	*sealable terminal cover					ATACOP04	•		



NT 518

**TAS65**

Primary current	Burden VA		Secondary 5A		Secondary 1A		UTF(c.l.0,5) certification
	c.l.0,5	c.l.1	Ordering code	Stock	Ordering code	Stock	
250A	1	4	TASL50C250		TASL10C250		
300A	1,5	6	TASL50C300		TASL10C300		
400A	4	8	TASL50C400	•	TASL10C400		•
500A	8	10	TASL50C500	•	TASL10C500		•
600A	8	12	TASL50C600	•	TASL10C600		•
700A	10	12	TASL50C700		TASL10C700		•
750A	10	15	TASL50C750	•	TASL10C750		•
800A	12	15	TASL50C800	•	TASL10C800		•
1000A	15	20	TASL50D100	•	TASL10D100		•
1200A	15	20	TASL50D120	•	TASL10D120		•
1250A	15	20	TASL50D125	•	TASL10D125		•
1500A	20	25	TASL50D150	•	TASL10D150		•
1600A	20	25	TASL50D160	•	TASL10D160		•
2000A	20	25	TASL50D200	•	TASL10D200		•
accessory	*sealable terminal cover				ATACOP04	•	



NT 574

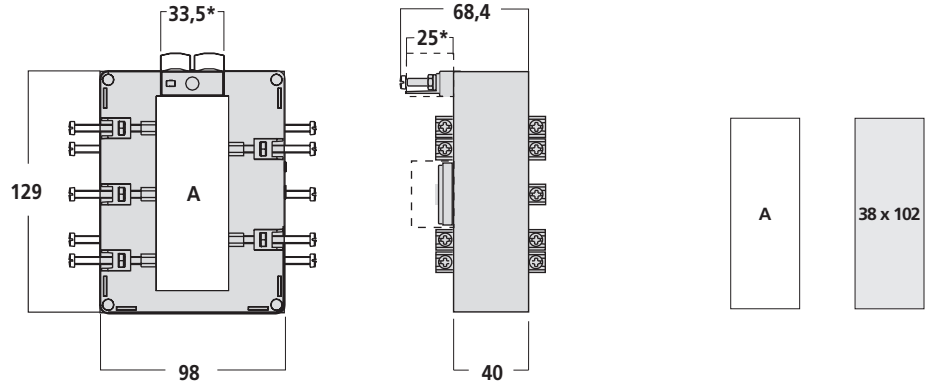
**TAS84**

Primary current	Burden VA		Secondary 5A		Secondary 1A		UTF(c.l.0,5) certification
	c.l.0,5	c.l.1	Ordering code	Stock	Ordering code	Stock	
300A		2	TASO50C300		TASO10C300		
400A	3	5	TASO50C400	•	TASO10C400		•
500A	5	7	TASO50C500	•	TASO10C500		•
600A	6	10	TASO50C600	•	TASO10C600		•
700A	6	10	TASO50C700		TASO10C700		•
750A	8	12	TASO50C750		TASO10C750		•
800A	8	12	TASO50C800	•	TASO10C800		•
1000A	10	15	TASO50D100	•	TASO10D100		•
1200A	12	15	TASO50D120	•	TASO10D120		•
1250A	12	15	TASO50D125	•	TASO10D125		•
1500A	15	20	TASO50D150	•	TASO10D150		•
1600A	15	20	TASO50D160	•	TASO10D160		•
2000A	20	25	TASO50D200	•	TASO10D200		•
2500A	25	30	TASO50D250	•	TASO10D250		•
accessory	*sealable terminal cover				ATACOP04	•	





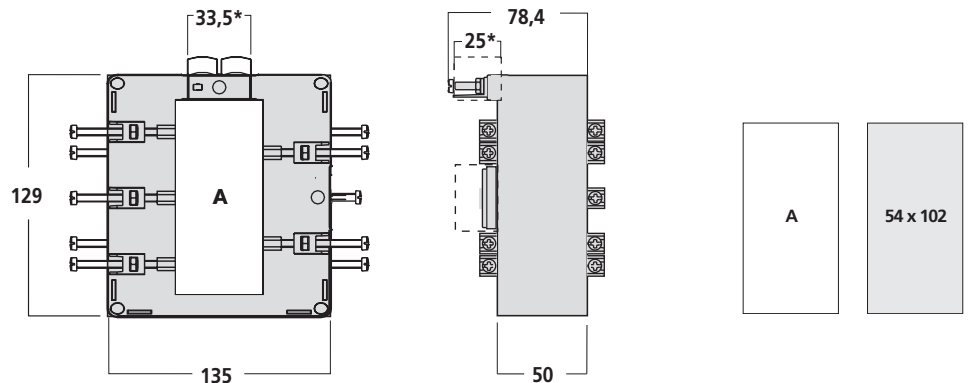
# Current transformers - Measuring



NT 766

## TAS102

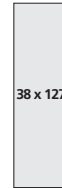
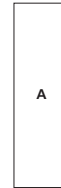
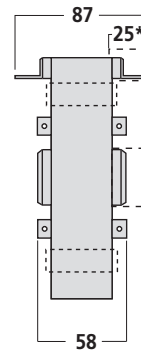
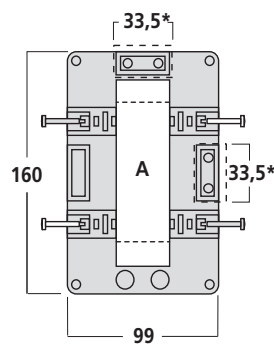
Primary current	Burden VA		Secondary 5A			Secondary 1A			UTF(d.0,5) certification
	cl.0,5	cl.1	Ordering code	Stock		Ordering code	Stock		
800A	8	10	TAMP50C800	•		TAMP10C800			•
1000A	10	12	TAMP50D100	•		TAMP10D100			•
1200A	12	15	TAMP50D120	•		TAMP10D120			•
1250A	12	15	TAMP50D125	•		TAMP10D125			•
1500A	12	15	TAMP50D150	•		TAMP10D150			•
1600A	12	15	TAMP50D160	•		TAMP10D160			•
2000A	20	25	TAMP50D200	•		TAMP10D200			•
2500A	20	25	TAMP50D250	•		TAMP10D250			•
3000A	20	25	TAMP50D300	•		TAMP10D300			•
accessory	*sealable terminal cover					ATACOP04	•		



NT 767

## TAS102B

Primary current	Burden VA		Secondary 5A			Secondary 1A			UTF(d.0,5) certification
	cl.0,5	cl.1	Ordering code	Stock		Ordering code	Stock		
800A	10	12	TAMQ50C800			TAMQ10C800			•
1000A	12	15	TAMQ50D100			TAMQ10D100			•
1200A	15	20	TAMQ50D120			TAMQ10D120			•
1250A	15	20	TAMQ50D125			TAMQ10D125			•
1500A	20	25	TAMQ50D150			TAMQ10D150			•
1600A	20	25	TAMQ50D160			TAMQ10D160			•
2000A	20	25	TAMQ50D200			TAMQ10D200			•
2500A	25	30	TAMQ50D250			TAMQ10D250			•
3000A	25	30	TAMQ50D300			TAMQ10D300			•
3200A	25	30	TAMQ50D320			TAMQ10D320			•
4000A	30	40	TAMQ50D400			TAMQ10D400			•
accessory	*sealable terminal cover					ATACOP04	•		



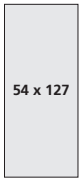
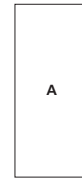
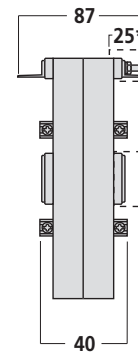
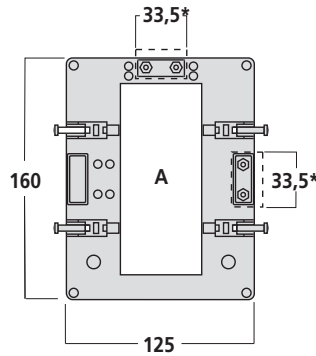
NT 522

**TAS127**

Primary current	Burden VA		Secondary 5A			Secondary 1A			UTF(cl.0,5) certification
	cl.0,5	cl.1	Ordering code	Stock		Ordering code	Stock		
400A		3	TASR50C400			TASR10C400			
500A	2	4	TASR50C500			TASR10C500			
600A	4	6	TASR50C600			TASR10C600			•
700A	4	8	TASR50C700			TASR10C700			•
750A	4	8	TASR50C750			TASR10C750			•
800A	4	8	TASR50C800			TASR10C800			•
1000A	6	10	TASR50D100	•		TASR10D100			•
1200A	8	12	TASR50D120	•		TASR10D120			•
1250A	8	12	TASR50D125			TASR10D125			•
1500A	10	15	TASR50D150	•		TASR10D150	•		•
1600A	10	15	TASR50D160	•		TASR10D160			•
2000A	15	20	TASR50D200	•		TASR10D200	•		•
2500A	20	25	TASR50D250	•		TASR10D250	•		•
3000A	25	30	TASR50D300	•		TASR10D300	•		•
3200A	25	30	TASR50D320	•		TASR10D320			•
4000A	25	30	TASR50D400	•		TASR10D400			•
accessory	*sealable terminal cover					ATACOP04	•		



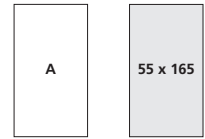
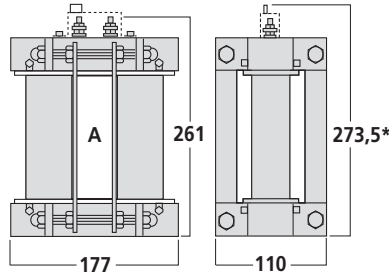
# Current transformers - Measuring



NT 523

## TAS127B

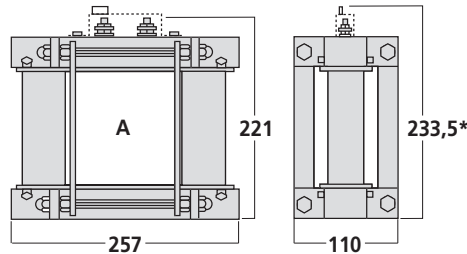
Primary current	Burden VA		Secondary 5A			Secondary 1A			UTF(cl.0,5) certification
	cl.0,5	cl.1	Ordering code	Stock		Ordering code	Stock		
400A	1	7	TASS50C400			TASS10C400			
500A	3	10	TASS50C500			TASS10C500			•
600A	5	12	TASS50C600			TASS10C600			•
700A	8	15	TASS50C700			TASS10C700			•
750A	10	15	TASS50C750			TASS10C750			•
800A	10	15	TASS50C800			TASS10C800			•
1000A	12	20	TASS50D100	•		TASS10D100			•
1200A	15	25	TASS50D120			TASS10D120			•
1250A	15	25	TASS50D125			TASS10D125			•
1500A	20	30	TASS50D150	•		TASS10D150			•
1600A	20	30	TASS50D160	•		TASS10D160			•
2000A	25	30	TASS50D200	•		TASS10D200			•
2500A	30	50	TASS50D250	•		TASS10D250			•
3000A	30	50	TASS50D300	•		TASS10D300			•
3200A	30	50	TASS50D320	•		TASS10D320			•
4000A	30	50	TASS50D400	•		TASS10D400	•		•
accessory	*sealable terminal cover					ATACOP04	•		•



NT 520

**TAU9**

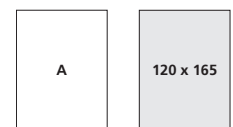
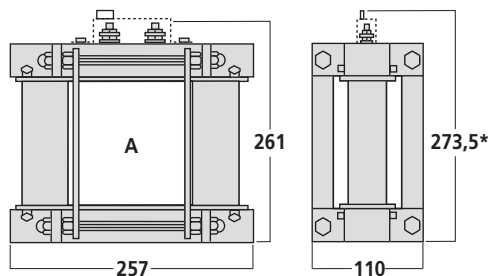
Primary current	Burden VA	Secondary 5A		Secondary 1A		UTF(c.l.0,5) certification
	cl.0,5	Ordering code	Stock	Ordering code	Stock	
1500A	20	TAUB50D150		TAUB10D150		•
2000A	30	TAUB50D200		TAUB10D200		•
2500A	40	TAUB50D250		TAUB10D250		•
3000A	40	TAUB50D300		TAUB10D300		•
4000A	50	TAUB50D400		TAUB10D400		•
5000A	60	TAUB50D500		TAUB10D500		•
accessory	*sealable terminal cover			ATACOP05	•	



NT 717

**TAU10**

Primary current	Burden VA	Secondary 5A		Secondary 1A		UTF(c.l.0,5) certification
	cl.0,5	Ordering code	Stock	Ordering code	Stock	
1500A	20	TAUC50D150		TAUC10D150		•
2000A	30	TAUC50D200		TAUC10D200		•
2500A	40	TAUC50D250		TAUC10D250		•
3000A	40	TAUC50D300		TAUC10D300		•
4000A	50	TAUC50D400		TAUC10D400		•
5000A	60	TAUC50D500		TAUC10D500		•
6000A	70	TAUC50D600		TAUC10D600		•
accessory	*sealable terminal cover			ATACOP05	•	



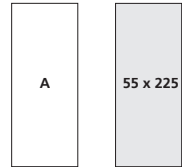
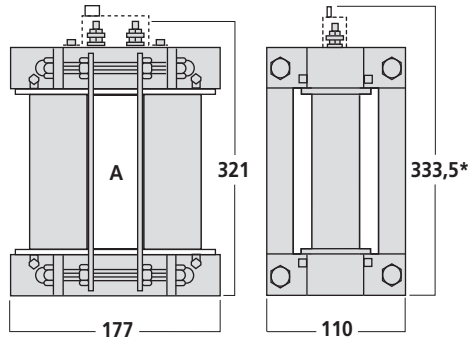
NT 719

**TAU11**

Primary current	Burden VA	Secondary 5A		Secondary 1A		UTF(c.l.0,5) certification
	cl.0,5	Ordering code	Stock	Ordering code	Stock	
1500A	20	TAUD50D150		TAUD10D150		•
2000A	30	TAUD50D200		TAUD10D200		•
2500A	40	TAUD50D250		TAUD10D250		•
3000A	40	TAUD50D300		TAUD10D300		•
4000A	50	TAUD50D400		TAUD10D400		•
5000A	60	TAUD50D500		TAUD10D500		•
6000A	70	TAUD50D600		TAUD10D600		•
8000A	70	TAUD50D800		TAUD10D800		•
accessory	*sealable terminal cover			ATACOP05	•	



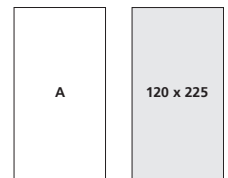
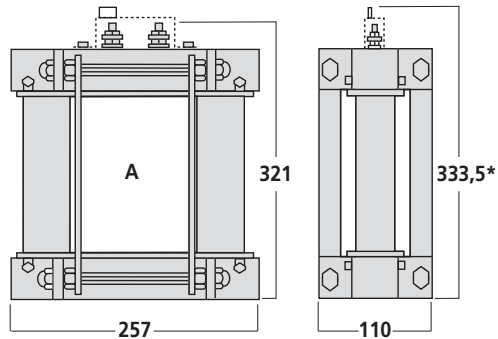
# Current transformers - Measuring



NT 819

## TAU12

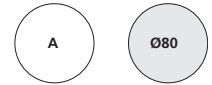
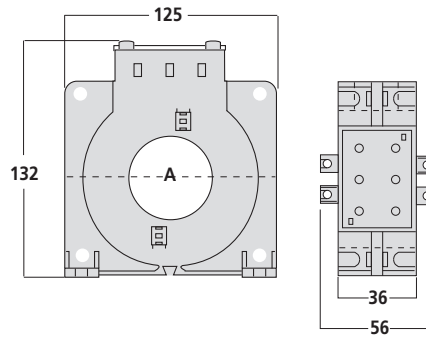
Primary current	Burden VA	Secondary 5A			Secondary 1A			UTF(d.0,5) certification
		Ordering code	Stock		Ordering code	Stock		
2500A	40	TAUE50D250			TAUE10D250			•
3000A	40	TAUE50D300			TAUE10D300			•
4000A	50	TAUE50D400			TAUE10D400			•
5000A	60	TAUE50D500			TAUE10D500			•
6000A	70	TAUE50D600			TAUE10D600			•
8000A	70	TAUE50D800			TAUE10D800			•
accessory	*sealable terminal cover				ATACOP05	•		



NT 820

## TAU13

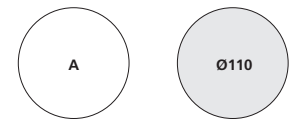
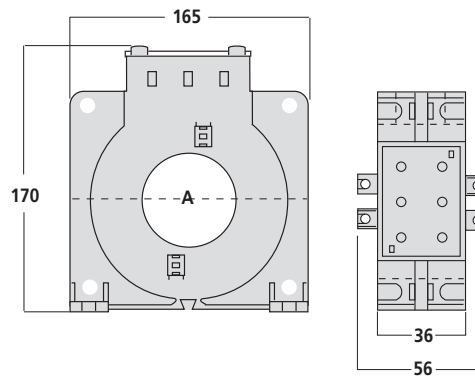
Primary current	Burden VA	Secondary 5A			Secondary 1A			UTF(d.0,5) certification
		Ordering code	Stock		Ordering code	Stock		
2500A	40	TAUF50D250			TAUF10D250			•
3000A	40	TAUF50D300			TAUF10D300			•
4000A	50	TAUF50D400			TAUF10D400			•
5000A	60	TAUF50D500			TAUF10D500			•
6000A	70	TAUF50D600			TAUF10D600			•
8000A	70	TAUF50D800			TAUF10D800			•
accessory	*sealable terminal cover				ATACOP05	•		



NT 712

**TAC80**

Primary current	Burden VA			Secondary 5A			UTF(c.l.0,5) certification
	c.l.0,5	c.l.1	c.l.3	Ordering code	Stock		
200A	1,5	3	5	TA0850C200	•		
250A	2	4	6	TA0850C250	•		
300A	2,5	5	7	TA0850C300	•		
400A	3	5	8	TA0850C400	•		•
500A	3	5	8	TA0850C500	•		•
600A	4	6	8	TA0850C600	•		•
800A	4	6	8	TA0850C800	•		•
1000A	6	8	10	TA0850D100	•		•



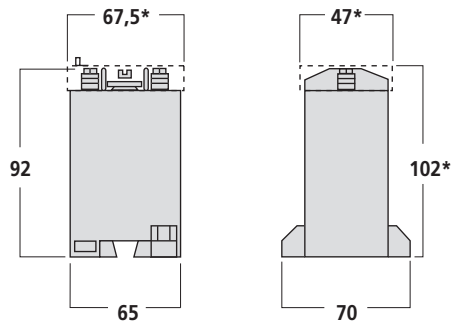
NT 713

**TAC110**

Primary current	Burden VA			Secondary 5A			UTF(c.l.0,5) certification
	c.l.0,5	c.l.1	c.l.3	Ordering code	Stock		
400A	3	5	8	TA1150C400	•		•
500A	3	5	8	TA1150C500	•		•
600A	4	6	8	TA1150C600	•		•
800A	4	6	8	TA1150C800	•		•
1000A	8	10	12	TA1150D100	•		•
1200A	8	10	12	TA1150D120	•		•
1500A	10	12	15	TA1150D150	•		•



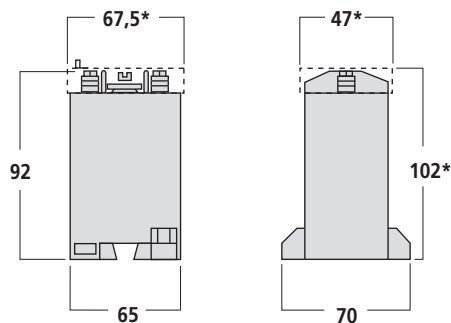
# Current transformers - Measuring



NT 725

## TAQ1

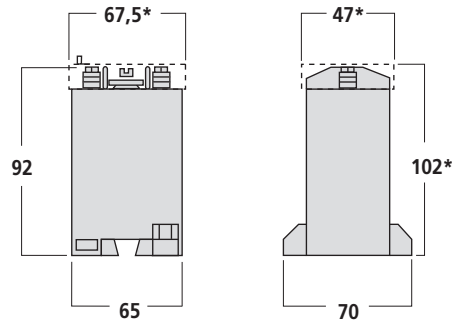
Primary current	Burden VA		Secondary 5A			Secondary 1A			UTF(d.0,5) certification
	cl.1		Ordering code	Stock		Ordering code	Stock		
5A	3		TAQE50A500	•		TAQE10A500	•		
10A	3		TAQE50B100	•		TAQE10B100	•		
15A	3		TAQE50B150	•		TAQE10B150	•		
20A	3		TAQE50B200	•		TAQE10B200	•		
25A	3		TAQE50B250	•		TAQE10B250	•		
30A	3		TAQE50B300	•		TAQE10B300	•		
40A	3		TAQE50B400	•		TAQE10B400	•		
50A	3		TAQE50B500	•		TAQE10B500	•		
60A	3		TAQE50B600	•		TAQE10B600	•		
accessories	*sealable terminal cover fixing on Rail Din					ATACOP06	•		
						ATADIN01	•		



NT 726

## TAQ2

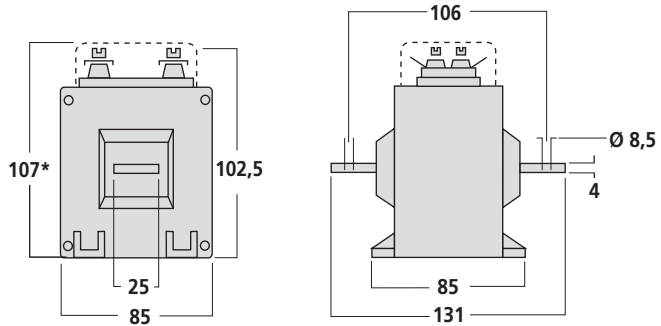
Primary current	Burden VA		Secondary 5A			Secondary 1A			UTF(d.0,5) certification
	cl.0,5	cl.1	Ordering code	Stock		Ordering code	Stock		
5A	2	4	TAQA50A500	•		TAQA10A500	•		
10A	2	4	TAQA50B100	•		TAQA10B100	•		
15A	2	4	TAQA50B150	•		TAQA10B150	•		
20A	2	4	TAQA50B200	•		TAQA10B200	•		
25A	2	4	TAQA50B250	•		TAQA10B250	•		
30A	2	4	TAQA50B300	•		TAQA10B300	•		
40A	2	4	TAQA50B400	•		TAQA10B400	•		
50A	2	4	TAQA50B500	•		TAQA10B500	•		
60A	2	4	TAQA50B600	•		TAQA10B600	•		
70A	2	4	TAQA50B700			TAQA10B700			
75A	2	4	TAQA50B750			TAQA10B750			
80A	2	4	TAQA50B800			TAQA10B800			
accessories	*sealable terminal cover fixing on Rail Din					ATACOP06	•		
						ATADIN01	•		



NT 727

**TAQ6**

Primary current	Burden VA		Secondary 5A		Secondary 1A		UTF(c.l.0,5) certification
	c.l.0,5	c.l.1	Ordering code	Stock	Ordering code	Stock	
5A	6	10	TAQB50A500	•	TAQB10A500	•	•
10A	6	10	TAQB50B100	•	TAQB10B100	•	•
15A	6	10	TAQB50B150	•	TAQB10B150	•	•
20A	6	10	TAQB50B200	•	TAQB10B200	•	•
25A	6	10	TAQB50B250	•	TAQB10B250	•	•
30A	6	10	TAQB50B300	•	TAQB10B300	•	•
40A	6	10	TAQB50B400	•	TAQB10B400	•	•
50A	6	10	TAQB50B500	•	TAQB10B500	•	•
60A	6	10	TAQB50B600	•	TAQB10B600	•	•
70A	6	10	TAQB50B700	•	TAQB10B700	•	•
75A	6	10	TAQB50B750	•	TAQB10B750	•	•
80A	6	10	TAQB50B800	•	TAQB10B800	•	•
100A	6	10	TAQB50C100	•	TAQB10C100	•	•
accessories	*sealable terminal cover fixing on Rail Din				ATACOP06	•	
					ATADIN01	•	



NT 728

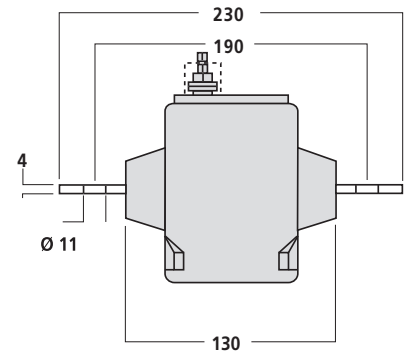
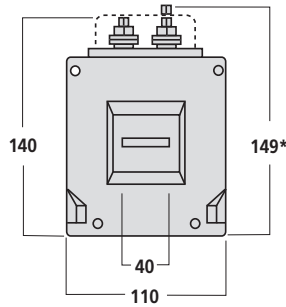
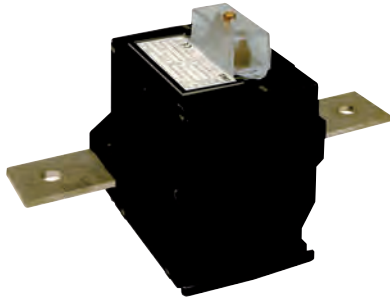
**TAQ10**

Primary current	Burden VA		Secondary 5A		Secondary 1A		UTF(c.l.0,5) certification
	c.l.0,5	c.l.1	Ordering code	Stock	Ordering code	Stock	
5A	10	15	TAQC50A500	•	TAQC10A500	•	•
10A	10	15	TAQC50B100	•	TAQC10B100	•	•
15A	10	15	TAQC50B150	•	TAQC10B150	•	•
20A	10	15	TAQC50B200	•	TAQC10B200	•	•
25A	10	15	TAQC50B250	•	TAQC10B250	•	•
30A	10	15	TAQC50B300	•	TAQC10B300	•	•
40A	10	15	TAQC50B400	•	TAQC10B400	•	•
50A	10	15	TAQC50B500	•	TAQC10B500	•	•
60A	10	15	TAQC50B600	•	TAQC10B600	•	•
70A	10	15	TAQC50B700	•	TAQC10B700	•	•
75A	10	15	TAQC50B750	•	TAQC10B750	•	•
80A	10	15	TAQC50B800	•	TAQC10B800	•	•
100A	10	15	TAQC50C100	•	TAQC10C100	•	•
120A	10	15	TAQC50C120	•	TAQC10C120	•	•
150A	10	15	TAQC50C150	•	TAQC10C150	•	•
200A	10	15	TAQC50C200	•	TAQC10C200	•	•
250A	10	15	TAQC50C250	•	TAQC10C250	•	•
300A	10	15	TAQC50C300	•	TAQC10C300	•	•
accessory	*sealable terminal cover				ATACOP03	•	





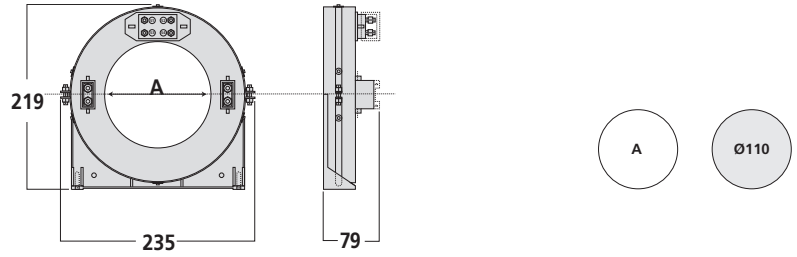
# Current transformers - Measuring



NT 729

## TAQ20

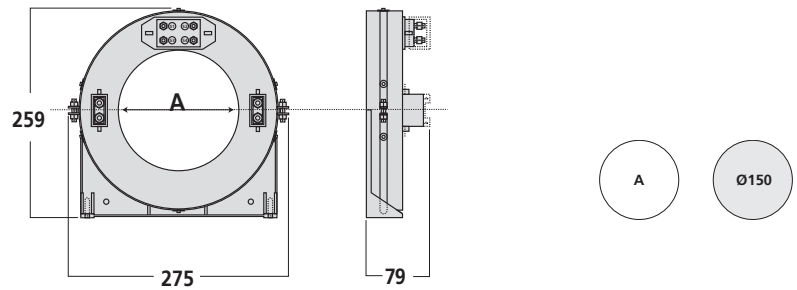
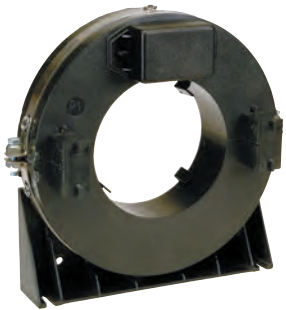
Primary current	Burden VA		Secondary 5A		Secondary 1A		UTF (cl.0,5) certification
	cl.0,5	cl.1	Ordering code	Stock	Ordering code	Stock	
5A	20	40	TAQD50A500		TAQD10A500		•
10A	20	40	TAQD50B100		TAQD10B100		•
15A	20	40	TAQD50B150		TAQD10B150		•
20A	20	40	TAQD50B200		TAQD10B200		•
25A	20	40	TAQD50B250		TAQD10B250		•
30A	20	40	TAQD50B300		TAQD10B300		•
40A	20	40	TAQD50B400		TAQD10B400		•
50A	20	40	TAQD50B500		TAQD10B500		•
60A	20	40	TAQD50B600		TAQD10B600		•
70A	20	40	TAQD50B700		TAQD10B700		•
75A	20	40	TAQD50B750		TAQD10B750		•
80A	20	40	TAQD50B800		TAQD10B800		•
100A	20	40	TAQD50C100		TAQD10C100		•
120A	20	40	TAQD50C120		TAQD10C120		•
150A	20	40	TAQD50C150		TAQD10C150		•
200A	20	40	TAQD50C200		TAQD10C200		•
250A	20	40	TAQD50C250		TAQD10C250		•
300A	20	40	TAQD50C300		TAQD10C300		•
400A	20	40	TAQD50C400		TAQD10C400		•
500A	20	40	TAQD50C500		TAQD10C500		•
600A	20	40	TAQD50C600		TAQD10C600		•
accessory	*sealable terminal cover				ATACOP07	•	



NT 721

**TRA11**

Primary current	Burden VA			Secondary 5A			UTF(cl.0,5) certification
	cl.0,5	cl.1	cl.3	Ordering code	Stock		
100A			3	TAAA50C100			
120A			3	TAAA50C120			
150A			5	TAAA50C150			
200A			5	TAAA50C200			
250A		5		TAAA50C250			
300A		5		TAAA50C300			
400A	5			TAAA50C400			•
500A	8			TAAA50C500			•
600A	15			TAAA50C600			•
800A	15			TAAA50C800			•
1000A	15			TAAA50D100			•
1200A	20			TAAA50D120			•
1500A	20			TAAA50D150			•
2000A	25			TAAA50D200			•



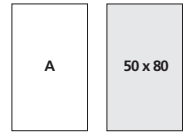
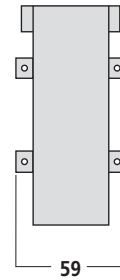
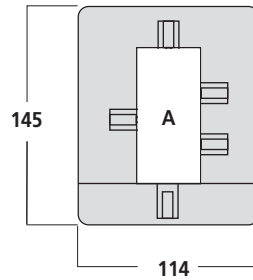
NT 722

**TRA15**

Primary current	Burden VA			Secondary 5A			UTF(cl.0,5) certification
	cl.0,5	cl.1	cl.3	Ordering code	Stock		
100A			3	TAAB50C100			
120A			3	TAAB50C120			
150A			5	TAAB50C150			
200A			5	TAAB50C200			
250A		5		TAAB50C250			
300A		5		TAAB50C300			
400A	5			TAAB50C400			•
500A	8			TAAB50C500			•
600A	15			TAAB50C600			•
800A	15			TAAB50C800			•
1000A	15			TAAB50D100			•
1200A	20			TAAB50D120			•
1500A	20			TAAB50D150			•
2000A	25			TAAB50D200			•
2500A	25			TAAB50D250			•
3000A	25			TAAB50D300			•
4000A	30			TAAB50D400			•
5000A	30			TAAB50D500			•



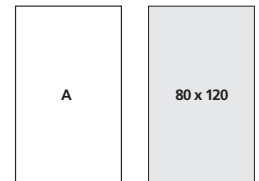
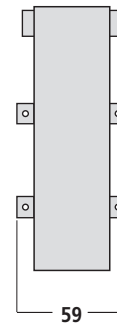
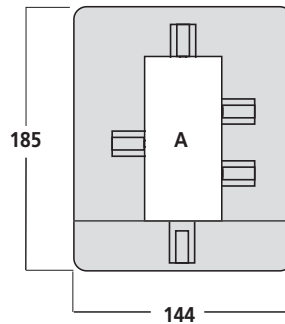
# Open core current transformers - Measuring



NT 723

## TRA58R

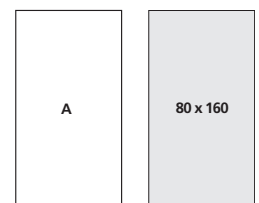
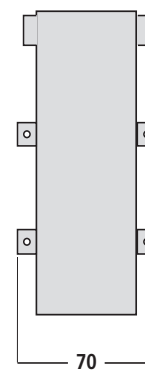
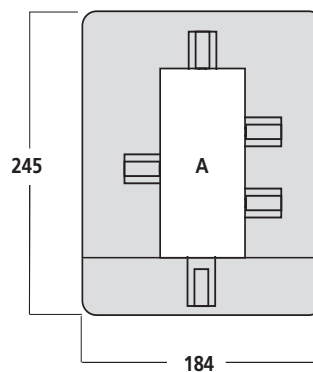
Primary current	Burden VA			Secondary 5A			UTF(d,0,5) certification
	cl.0,5	cl.1	cl.3	Ordering code	Stock		
250A	1	2	4	TAAD50C250	•		
400A	1,5	3	10	TAAD50C400	•		
600A	2,5	5	17,5	TAAD50C600	•		
800A	3	7	18	TAAD50C800	•		•



NT 724

## TRA812R

Primary current	Burden VA			Secondary 5A			UTF(d,0,5) certification
	cl.0,5	cl.1	cl.3	Ordering code	Stock		
600A	-	5	14	TAAE50C600	•		
800A	3	7	18	TAAE50C800	•		•
1000A	5	9	20	TAAE50D100	•		•
1200A	6	11	24	TAAE50D120	•		•
1500A	8	17	30	TAAE50D150	•		•



NT 818

## TRA816R

Primary current	Burden VA			Secondary 5A			UTF(d,0,5) certification
	cl.0,5	cl.1	cl.3	Ordering code	Stock		
2000A	15	20	25	TAAF50D200	•		•
2500A	15	20	25	TAAF50D250	•		•
3000A	20	25	30	TAAF50D300	•		•
4000A	20	25	30	TAAF50D400	•		•
5000A	20	25	30	TAAF50D500	•		•

# Reasuming table

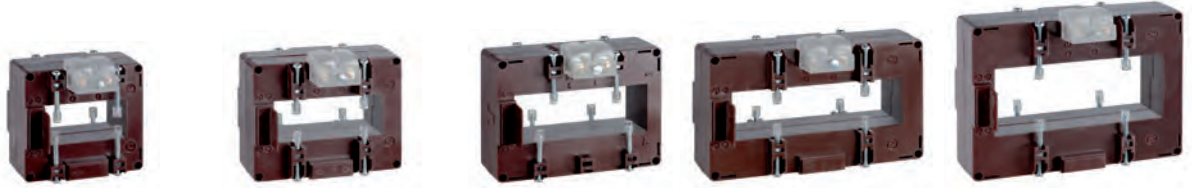


Model	TAQ2	TAQ6	TAQ10
Code	TAQA...S	TAQB...S	TAQC...S
Technical note	NT824	NT825	NT826
Type	wound primary winding	wound primary winding	wound primary winding
Width (mm)	65	65	85
Height (mm)	92	92	102,5
Cable (mm)			
Window (mm)			

Primary current	VA			VA			VA		
	cl.0,2s	cl.0,2	cl.0,5s	cl.0,2s	cl.0,2	cl.0,5s	cl.0,2s	cl.0,2	cl.0,5s
5A	-	1	2	3	4	5	-	5	10
10A	-	1	2	3	4	5	-	5	10
15A	-	1	2	3	4	5	-	5	10
20A	-	1	2	3	4	5	-	5	10
25A	-	1	2	3	4	5	-	5	10
30A	-	1	2	3	4	5	-	5	10
40A	-	1	2	3	4	5	-	5	10
50A	-	1	2	3	4	5	-	5	10
60A	-	1	2	3	4	5	-	5	10
70A							-	5	10
75A							-	5	10
80A							-	5	10
100A							-	5	10
120A							-	5	10
125A							-	5	10
150A							-	5	10
160A									
200A									
250A									
300A									
400A									
500A									
600A									
700A									
750A									
800A									
1000A									
see page		47			48			49	



# Reasuming table



Model	TAS65	TAS84	TAS102	TAS127	TAS127B
Code	TASL...3S	TASO...3S	TAMP...3S	TASR...3S	TASS...3S
Technical note	NT831	NT832	NT833	NT834	NT835
Type	passing primary winding	passing primary winding	passing primary winding	passing primary winding	passing primary winding
Width (mm)	94	116	129	160	160
Height (mm)	90	96	98	99	125
Window (mm)	65x32	84x34	102x38	127x38	127x54

Primary current	VA			VA			VA			VA			VA		
	cl.0,2s	cl.0,2	cl.0,5s	cl.0,2s	cl.0,2	cl.0,5s	cl.0,2s	cl.0,2	cl.0,5s	cl.0,2s	cl.0,2	cl.0,5s	cl.0,2s	cl.0,2	cl.0,5s
600A	1	5	4												
700A	1	5	4												
750A	1	5	4												
800A	2	8	5	4	7	6									
1000A	12	18	15	6	8	7	5	7,5	10	4	6	8			
1200A	15	21	18	10	14	12	5	7,5	10	5	7,5	10			
1250A	15	21	18	10	14	12	5	7,5	10	5	7,5	10			
1500A	25	30	25	15	20	17,5	7,5	10	15	7,5	10	12,5	7,5	10	12,5
1600A	25	30	25	15	20	17,5	7,5	10	15	7,5	10	12,5	7,5	10	12,5
2000A	30	40	35	15	25	20	10	15	20	25	15	25	10	12,5	15
2500A				20	30	25	15	20	25	15	20	25	12,5	15	20
3000A							20	25	30	20	25	30	15	20	25
3200A													15	20	25
4000A													20	25	30
see page	42			42			43			43			44		

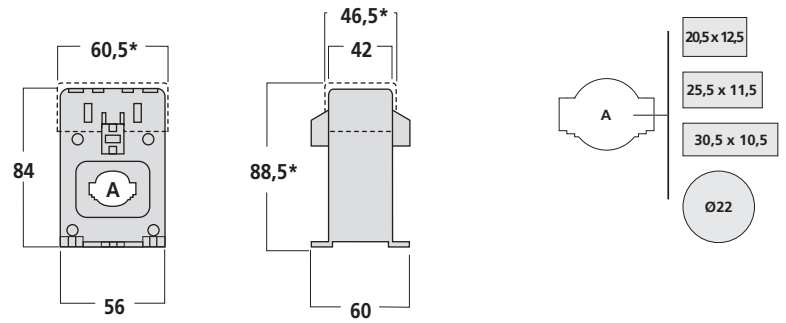


# Current transformers - Accuracy



<b>TAS65</b>	<b>TAS84</b>	<b>TAS102</b>	<b>TAS127</b>	<b>TAS127B</b>	
TASL...S	TASO...S	TAMP...S	TASR...S	TASS...S	
NT831	NT832	NT833	NT834	NT835	
passing primary winding	passing primary winding	passing primary winding	passing primary winding	passing primary winding	
90	96	98	99	125	
94	116	129	160	160	
32x65	34x84	38x102	38x127	54x127	

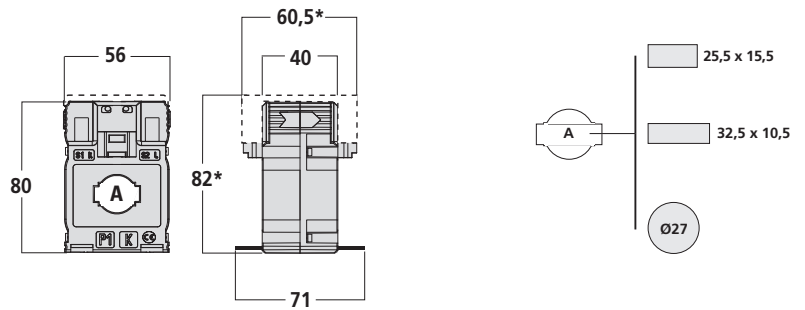
<b>VA</b>			<b>VA</b>			<b>VA</b>			<b>VA</b>			<b>VA</b>			
cl.0,2s	cl.0,2	cl.0,5s	cl.0,2s	cl.0,2	cl.0,5s	cl.0,2s	cl.0,2	cl.0,5s	cl.0,2s	cl.0,2	cl.0,5s	cl.0,2s	cl.0,2	cl.0,5s	
1	5	4													
1	5	4													
1	5	4													
2	8	5	4	7	6										
12	18	15	6	8	7	5	7,5	10	4	6	8				
15	21	18	10	14	12	5	7,5	10	5	7,5	10				
15	21	18	10	14	12	5	7,5	10	5	7,5	10				
25	30	25	15	20	17,5	7,5	10	15	7,5	10	12,5	7,5	10	12,5	
25	30	25	15	20	17,5	7,5	10	15	7,5	10	12,5	7,5	10	12,5	
30	40	35	15	25	20	10	15	20	25	15	25	10	12,5	15	
			20	30	25	15	20	25	15	20	25	12,5	15	20	
						20	25	30	20	25	30	15	20	25	
												20	25	30	
44			45			45			46			46			



NT 827

**TA233**

Primary current	Burden VA			Secondary 5A		Secondary 1A		UTF (cl.0,2) certification	
	cl.0,2s	cl.0,2	cl.0,5s	Ordering code	Stock	Ordering code	Stock		
150A	1	1,5	2	TAID50C150S		TAID10C150S			
160A	1	1,5	2	TAID50C160S		TAID10C160S			
200A	2	2,5	4	TAID50C200S		TAID10C200S			
250A	2	2,5	4	TAID50C250S		TAID10C250S			
300A	2,5	4	5	TAID50C300S		TAID10C300S		•	
400A	4	5	8	TAID50C400S		TAID10C400S		•	
500A	6	7	10	TAID50C500S		TAID10C500S		•	
600A	8	10	15	TAID50C600S		TAID10C600S		•	
accessory	*sealable terminal cover					ATACOP01	•		



NT 829

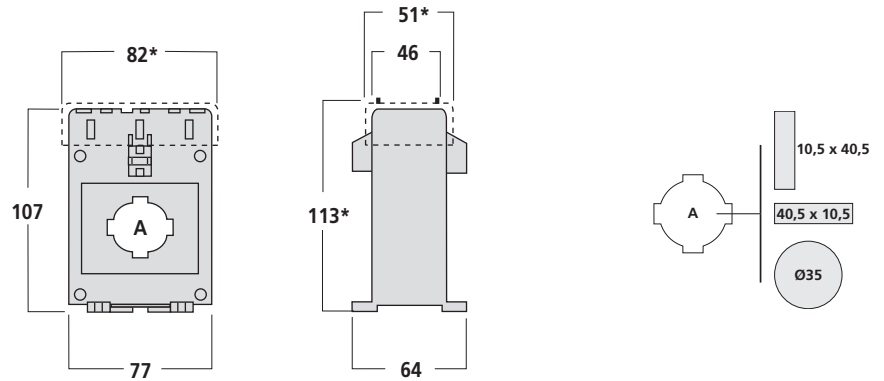
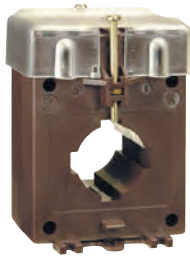
**TA327**

Primary current	Burden VA			Secondary 5A		Secondary 1A		UTF (cl.0,2) certification	
	cl.0,2s	cl.0,2	cl.0,5s	Ordering code	Stock	Ordering code	Stock		
150A	1	1,5	2	TA32750C150S		TA32710C150S			
160A	1	1,5	2	TA32750C160S		TA32710C160S			
200A	2	2,5	3	TA32750C200S		TA32710C200S			
250A	2	2,5	3	TA32750C250S		TA32710C250S			
300A	2,5	4	5	TA32750C300S		TA32710C300S		•	
400A	4	5	8	TA32750C400S		TA32710C400S		•	
500A	6	7	10	TA32750C500S		TA32710C500S		•	
600A	8	10	15	TA32750C600S		TA32710C600S		•	
accessory	*sealable terminal cover					ATACOP13	•		





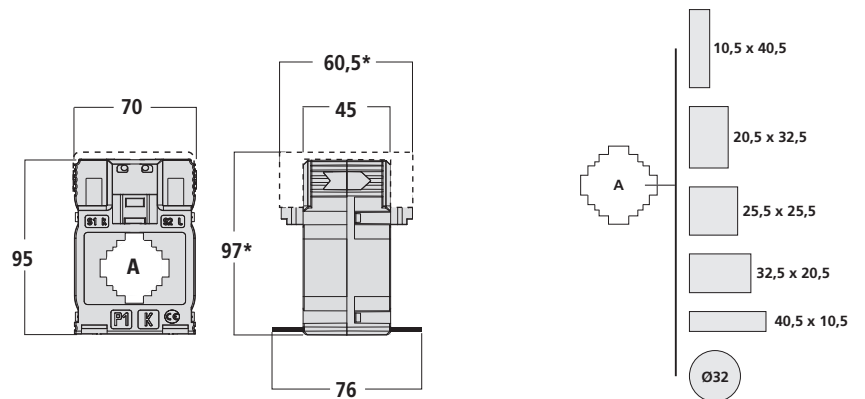
# Current transformers - Accuracy



NT 828

## TAI400

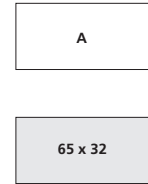
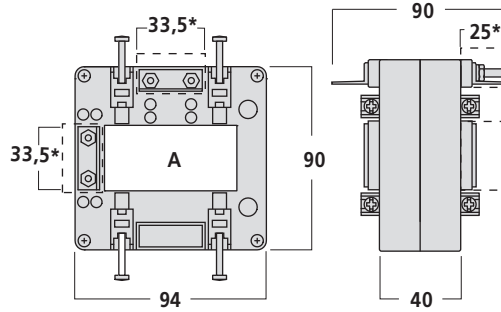
Primary current	Burden VA			Secondary 5A			Secondary 1A			UTF(d.0,2) certification
	cl.0,2s	cl.0,2	cl.0,5s	Ordering code	Stock		Ordering code	Stock		
400A	2,5	5	10	TAIG50C400S			TAIG10C400S			•
500A	5	7,5	10	TAIG50C500S			TAIG10C500S			•
600A	7,5	10	15	TAIG50C600S			TAIG10C600S			•
700A	7,5	10	12,5	TAIG50C700S			TAIG10C700S			•
750A	7,5	10	12,5	TAIG50C750S			TAIG10C750S			•
800A	10	12,5	15	TAIG50C800S			TAIG10C800S			•
1000A	12,5	15	17,5	TAIG50D100S			TAIG10D100S			•
accessory	*sealable terminal cover						ATACOP02	•		



NT 830

## TA432

Primary current	Burden VA			Secondary 5A			Secondary 1A			UTF(d.0,2) certification
	cl.0,2s	cl.0,2	cl.0,5s	Ordering code	Stock		Ordering code	Stock		
200A	1	1,5	2,5	TA43250C200S			TA43210C200S			
250A	1	1,5	2,5	TA43250C250S			TA43210C250S			
300A	1,5	2	4	TA43250C300S			TA43210C300S			
400A	1,5	3	4	TA43250C400S			TA43210C400S			•
500A	2,5	5	5	TA43250C500S			TA43210C500S			•
600A	3	6	7	TA43250C600S			TA43210C600S			•
700A	4	7	7	TA43250C700S			TA43210C700S			•
750A	4	7	8	TA43250C750S			TA43210C750S			•
800A	5	8	10	TA43250C800S			TA43210C800S			•
1000A	6	10	12	TA43250D100S			TA43210D100S			•
accessory	*sealable terminal cover						ATACOP13	•		

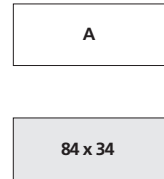
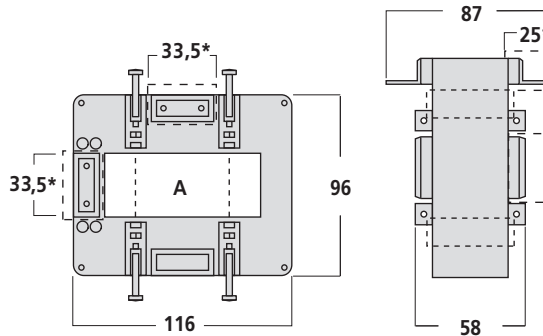


NT 831

**TAS65**

terminals on long side

Primary current	Burden VA			Secondary 5A		Secondary 1A		UTF(cl.0,2) certification	
	cl.0,2s	cl.0,2	cl.0,5s	Ordering code	Stock	Ordering code	Stock		
600A	1	5	4	TASL50C6003S		TASL10C6003S		•	
700A	1	5	4	TASL50C7003S		TASL10C7003S		•	
750A	1	5	4	TASL50C7503S		TASL10C7503S		•	
800A	2	8	5	TASL50C8003S		TASL10C8003S		•	
1000A	12	18	15	TASL50D1003S		TASL10D1003S		•	
1200A	15	21	18	TASL50D1203S		TASL10D1203S		•	
1250A	15	21	18	TASL50D1253S		TASL10D1253S		•	
1500A	25	30	25	TASL50D1503S		TASL10D1503S		•	
1600A	25	30	25	TASL50D1603S		TASL10D1603S		•	
2000A	30	40	35	TASL50D2003S		TASL10D2003S		•	
accessory	*sealable terminal cover					ATACOP04	•		



NT 832

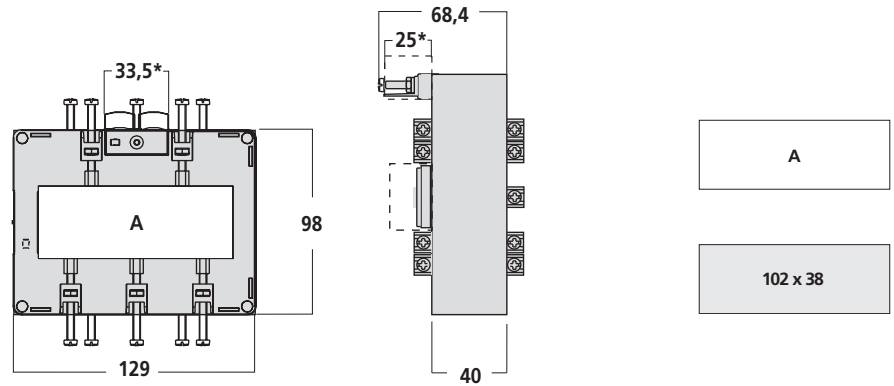
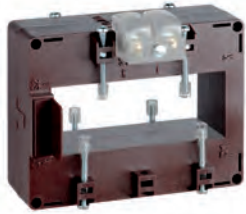
**TAS84**

terminals on long side

Primary current	Burden VA			Secondary 5A		Secondary 1A		UTF(cl.0,2) certification	
	cl.0,2s	cl.0,2	cl.0,5s	Ordering code	Stock	Ordering code	Stock		
800A	4	7	6	TASO50C8003S		TASO10C8003S		•	
1000A	6	8	7	TASO50D1003S		TASO10D1003S		•	
1200A	10	14	12	TASO50D1203S		TASO10D1203S		•	
1250A	10	14	12	TASO50D1253S		TASO10D1253S		•	
1500A	15	20	17,5	TASO50D1503S		TASO10D1503S		•	
1600A	15	20	17,5	TASO50D1603S		TASO10D1603S		•	
2000A	15	25	20	TASO50D2003S		TASO10D2003S		•	
2500A	20	30	25	TASO50D2503S		TASO10D2503S		•	
accessory	*sealable terminal cover					ATACOP04	•		



# Current transformers - Accuracy

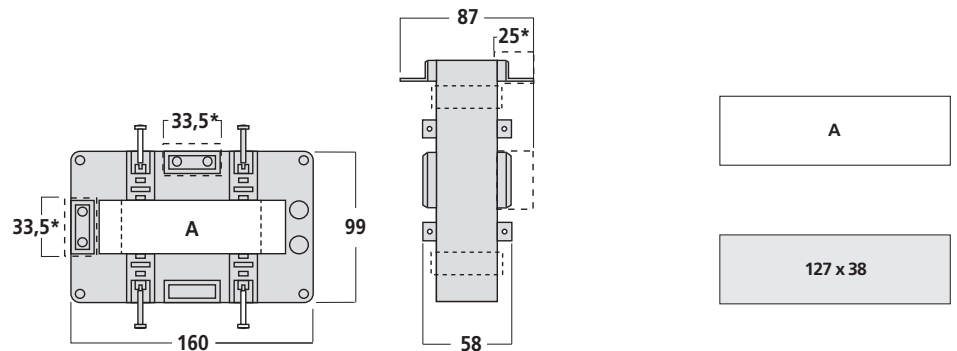


NT 833

## TAS102

terminals on long side

Primary current	Burden VA			Secondary 5A		Secondary 1A		UTF(d.0,2) certification	
	cl.0,2s	cl.0,2	cl.0,5s	Ordering code	Stock	Ordering code	Stock		
1000A	5	7,5	10	TAMP50D1003S		TAMP10D1003S		•	
1200A	5	7,5	10	TAMP50D1203S		TAMP10D1203S		•	
1250A	5	7,5	10	TAMP50D1253S		TAMP10D1253S		•	
1500A	7,5	10	15	TAMP50D1503S		TAMP10D1503S		•	
1600A	7,5	10	15	TAMP50D1603S		TAMP10D1603S		•	
2000A	10	15	20	TAMP50D2003S		TAMP10D2003S		•	
2500A	15	20	25	TAMP50D2503S		TAMP10D2503S		•	
3000A	20	25	30	TAMP50D3003S		TAMP10D3003S		•	
accessory	*sealable terminal cover					ATACOP04	•		

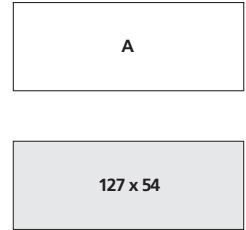
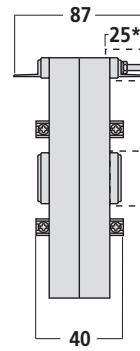
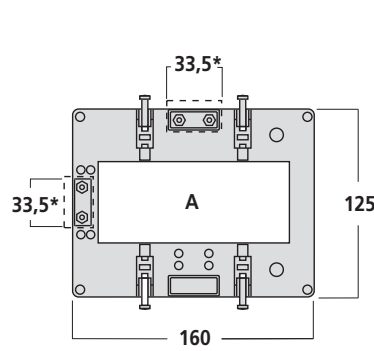


NT 834

## TAS127

terminals on long side

Primary current	Burden VA			Secondary 5A		Secondary 1A		UTF(d.0,2) certification	
	cl.0,2s	cl.0,2	cl.0,5s	Ordering code	Stock	Ordering code	Stock		
1000A	4	6	8	TASR50D1003S		TASR10D1003S		•	
1200A	5	7,5	10	TASR50D1203S		TASR10D1203S		•	
1250A	5	7,5	10	TASR50D1253S		TASR10D1253S		•	
1500A	7,5	10	12,5	TASR50D1503S		TASR10D1503S		•	
1600A	7,5	10	12,5	TASR50D1603S		TASR10D1603S		•	
2000A	25	15	25	TASR50D2003S		TASR10D2003S		•	
2500A	15	20	25	TASR50D2503S		TASR10D2503S		•	
3000A	20	25	30	TASR50D3003S		TASR10D3003S		•	
accessory	*sealable terminal cover					ATACOP04	•		

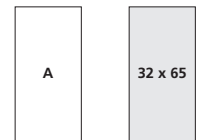
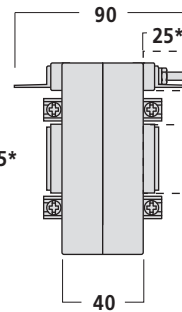
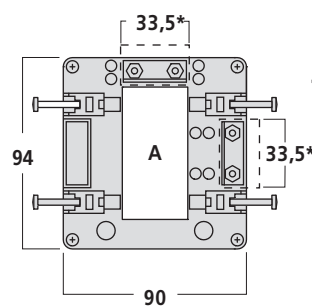


NT 835

**TAS127B**

terminals on long side

Primary current	Burden VA			Secondary 5A		Secondary 1A			UTF(cl.0,2) certification
	cl.0,2s	cl.0,2	cl.0,5s	Ordering code	Stock	Ordering code	Stock		
1500A	7,5	10	12,5	TASS50D1503S		TASS10D1503S			
1600A	7,5	10	12,5	TASS50D1603S		TASS10D1603S			
2000A	10	12,5	15	TASS50D2003S		TASS10D2003S			
2500A	12,5	15	20	TASS50D2503S		TASS10D2503S			
3000A	15	20	25	TASS50D3003S		TASS10D3003S			
3200A	15	20	25	TASS50D3203S		TASS10D3203S			
4000A	20	25	30	TASS50D4003S		TASS10D4003S			
accessory	*sealable terminal cover					ATACOP04	•		



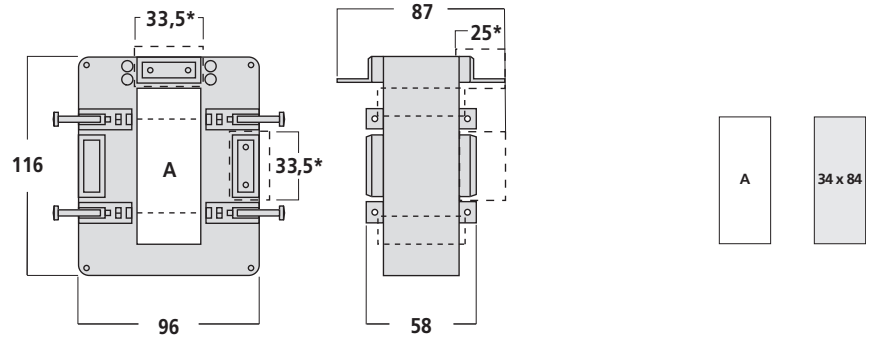
NT 831

**TAS65**

Primary current	Burden VA			Secondary 5A		Secondary 1A			UTF(cl.0,2) certification
	cl.0,2s	cl.0,2	cl.0,5s	Ordering code	Stock	Ordering code	Stock		
600A	1	5	4	TASL50C600S		TASL10C600S		•	
700A	1	5	4	TASL50C700S		TASL10C700S		•	
750A	1	5	4	TASL50C750S		TASL10C750S		•	
800A	2	8	5	TASL50C800S		TASL10C800S		•	
1000A	12	18	15	TASL50D100S		TASL10D100S		•	
1200A	15	21	18	TASL50D120S		TASL10D120S		•	
1250A	15	21	18	TASL50D125S		TASL10D125S		•	
1500A	25	30	25	TASL50D150S		TASL10D150S		•	
1600A	25	30	25	TASL50D160S		TASL10D160S		•	
2000A	30	40	35	TASL50D200S		TASL10D200S		•	
accessory	*sealable terminal cover					ATACOP04	•		



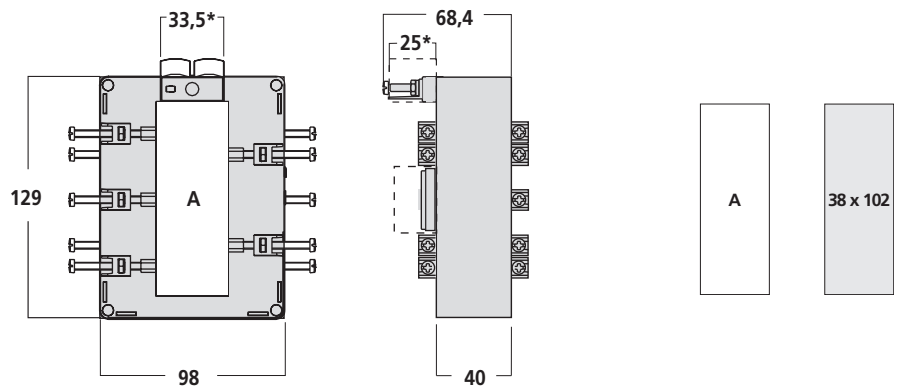
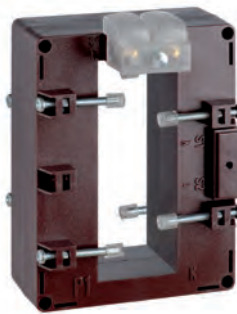
# Current transformers - Accuracy



NT 832

## TAS84

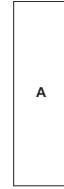
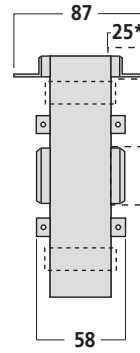
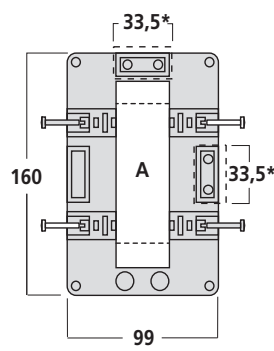
Primary current	Burden VA			Secondary 5A		Secondary 1A		UTF(d,0,2) certification
	cl.0,2s	cl.0,2	cl.0,5s	Ordering code	Stock	Ordering code	Stock	
800A	4	7	6	TASO50C800S		TASO10C800S		•
1000A	6	8	7	TASO50D100S		TASO10D100S		•
1200A	10	14	12	TASO50D120S		TASO10D120S		•
1250A	10	14	12	TASO50D125S		TASO10D125S		•
1500A	15	20	17,5	TASO50D150S		TASO10D150S		•
1600A	15	20	17,5	TASO50D160S		TASO10D160S		•
2000A	15	25	20	TASO50D200S		TASO10D200S		•
2500A	20	30	25	TASO50D250S		TASO10D250S		•
accessory	*sealable terminal cover					ATACOP04	•	



NT 833

## TAS102

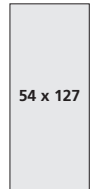
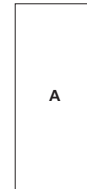
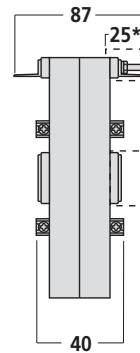
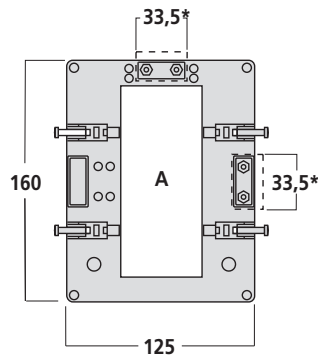
Primary current	Burden VA			Secondary 5A		Secondary 1A		UTF(d,0,2) certification
	cl.0,2s	cl.0,2	cl.0,5s	Ordering code	Stock	Ordering code	Stock	
1000A	5	7,5	10	TAMP50D100S		TAMP10D100S		•
1200A	5	7,5	10	TAMP50D120S		TAMP10D120S		•
1250A	5	7,5	10	TAMP50D125S		TAMP10D125S		•
1500A	7,5	10	15	TAMP50D150S		TAMP10D150S		•
1600A	7,5	10	15	TAMP50D160S		TAMP10D160S		•
2000A	10	15	20	TAMP50D200S		TAMP10D200S		•
2500A	15	20	25	TAMP50D250S		TAMP10D250S		•
3000A	20	25	30	TAMP50D300S		TAMP10D300S		•
accessory	*sealable terminal cover					ATACOP04	•	



NT 834

**TAS127**

Primary current	Burden VA			Secondary 5A		Secondary 1A		UTF(cl.0,2) certification	
	cl.0,2s	cl.0,2	cl.0,5s	Ordering code	Stock	Ordering code	Stock		
1000A	4	6	8	TASR50D100S		TASR10D100S		•	
1200A	5	7,5	10	TASR50D120S		TASR10D120S		•	
1250A	5	7,5	10	TASR50D125S		TASR10D125S		•	
1500A	7,5	10	12,5	TASR50D150S		TASR10D150S		•	
1600A	7,5	10	12,5	TASR50D160S		TASR10D160S		•	
2000A	25	15	25	TASR50D200S		TASR10D200S		•	
2500A	15	20	25	TASR50D250S		TASR10D250S		•	
3000A	20	25	30	TASR50D300S		TASR10D300S		•	
accessory	*sealable terminal cover					ATACOP04	•		



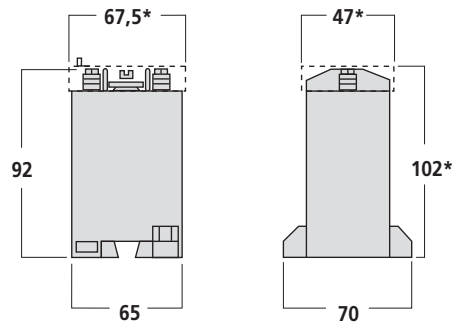
NT 835

**TAS127B**

Primary current	Burden VA			Secondary 5A		Secondary 1A		UTF(cl.0,2) certification	
	cl.0,2s	cl.0,2	cl.0,5s	Ordering code	Stock	Ordering code	Stock		
1500A	7,5	10	12,5	TASS50D150S		TASS10D150S			
1600A	7,5	10	12,5	TASS50D160S		TASS10D160S			
2000A	10	12,5	15	TASS50D200S		TASS10D200S			
2500A	12,5	15	20	TASS50D250S		TASS10D250S			
3000A	15	20	25	TASS50D300S		TASS10D300S			
3200A	15	20	25	TASS50D320S		TASS10D320S			
4000A	20	25	30	TASS50D400S		TASS10D400S			
accessory	*sealable terminal cover					ATACOP04	•		



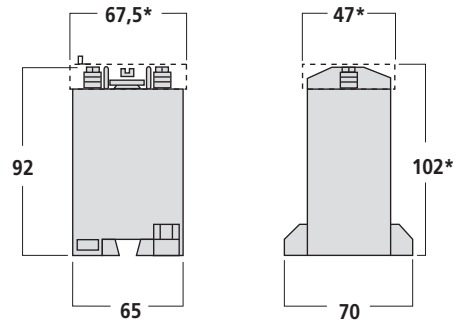
# Current transformers - Accuracy



NT 824

## TAQ2

Primary current	Burden VA		Secondary 5A		Secondary 1A		UTF(cl.0,2) certification
	cl.0,2	cl.0,5s	Ordering code	Stock	Ordering code	Stock	
5A	1	2	TAQA50A500S		TAQA10A500S		
10A	1	2	TAQA50B100S		TAQA10B100S		
15A	1	2	TAQA50B150S		TAQA10B150S		
20A	1	2	TAQA50B200S		TAQA10B200S		
25A	1	2	TAQA50B250S		TAQA10B250S		
30A	1	2	TAQA50B300S		TAQA10B300S		
40A	1	2	TAQA50B400S		TAQA10B400S		
50A	1	2	TAQA50B500S		TAQA10B500S		
60A	1	2	TAQA50B600S		TAQA10B600S		
accessories	*sealable terminal cover fixing on Rail Din				ATACOP06	•	
					ATADIN01	•	



NT 825

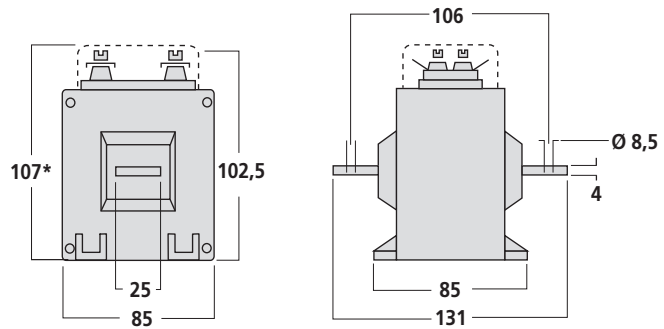
**TAQ6**

Primary current	Burden VA			Secondary 5A		Secondary 1A		UTF(cl.0,2) certification	
	cl.0,2s	cl.0,2	cl.0,5s	Ordering code	Stock	Ordering code	Stock		
5A	3	4	5	TAQB50A500S		TAQB10A500S		•	
10A	3	4	5	TAQB50B100S		TAQB10B100S		•	
15A	3	4	5	TAQB50B150S		TAQB10B150S		•	
20A	3	4	5	TAQB50B200S		TAQB10B200S		•	
25A	3	4	5	TAQB50B250S		TAQB10B250S		•	
30A	3	4	5	TAQB50B300S		TAQB10B300S		•	
40A	3	4	5	TAQB50B400S		TAQB10B400S		•	
50A	3	4	5	TAQB50B500S		TAQB10B500S		•	
60A	3	4	5	TAQB50B600S		TAQB10B600S		•	
accessories	*sealable terminal cover fixing on Rail Din					ATACOP06	•		
						ATADIN01	•		





# Current transformers - Accuracy



NT 826

## TAQ10

Primary current	Burden VA		Secondary 5A		Secondary 1A		UTF(cl.0,2) certification
	cl.0,2	cl.0,5s	Ordering code	Stock	Ordering code	Stock	
5A	5	10	TAQC50A500S		TAQC10A500S		•
10A	5	10	TAQC50B100S		TAQC10B100S		•
15A	5	10	TAQC50B150S		TAQC10B150S		•
20A	5	10	TAQC50B200S		TAQC10B200S		•
25A	5	10	TAQC50B250S		TAQC10B250S		•
30A	5	10	TAQC50B300S		TAQC10B300S		•
40A	5	10	TAQC50B400S		TAQC10B400S		•
50A	5	10	TAQC50B500S		TAQC10B500S		•
60A	5	10	TAQC50B600S		TAQC10B600S		•
70A	5	10	TAQC50B700S		TAQC10B700S		•
75A	5	10	TAQC50B750S		TAQC10B750S		•
80A	5	10	TAQC50B800S		TAQC10B800S		•
100A	5	10	TAQC50C100S		TAQC10C100S		•
120A	5	10	TAQC50C120S		TAQC10C120S		•
150A	5	10	TAQC50C150S		TAQC10C150S		•
accessory	*sealable terminal cover				ATACOP03	•	

# Reasuming table



Model	TAQ10P	TAQ20P	TAS63P	TAS80
Code	TAVB...	TAVA...	TAWA...	TASM...
Technical note	NT823	NT730	NT645	NT571
Type	wound primary winding	wound primary winding	passing primary winding	passing primary winding
Width (mm)	85	110	100	124
Height (mm)	102,5	140	117,5	136
Window (mm)			41x21 51x20 64x19	82x32

Primary current	VA		VA		VA		VA	
	cl.5P5	cl.5P10	cl.5P5	cl.5P10	cl.5P5	cl.5P10	cl.5P5	cl.5P10
5A	4	2	8	4				
10A	4	2	8	4				
15A	4	2	8	4				
20A	4	2	8	4				
25A	4	2	8	4				
30A	4	2	8	4				
40A	4	2	8	4				
50A	4	2	8	4				
60A	4	2	8	4				
70A	4	2	8	4				
75A	4	2	8	4				
80A	4	2	8	4				
100A	4	2	8	4				
120A	4	2	8	4				
150A	4	2	8	4				
200A	4	2	8	4				
250A	4	2	8	4	2,5	1		
300A	4	2	8	4	3,5	1,2	6	2,5
400A			8	4	4	1,5	7	2,5
500A			8	4	5	1,5	10	3
600A			8	4	6	2	10	4
700A					7	2	10	4
750A					7	2	10	4
800A					7	1,5	10	4
1000A					7	1,5	15	4
1200A					10	1,5	20	5
1250A					10	2	20	5
1500A					10	1,5	25	5
1600A					10	1,5	25	5
2000A							30	6
2500A							35	6
3000A								
4000A								
see page	60		61		54		54	



# Reasuming table



Model	TAU81P				TAU101P				TAU91P			
Code	TAXA...				TAXC...				TAXB...			
Technical note	NT715				NT718				NT716			
Type	passing primary winding				passing primary winding				passing primary winding			
Width (mm)	177				257				177			
Height (mm)	233,5				233,5				273,5			
Window (mm)	55x125				120x125				55x165			

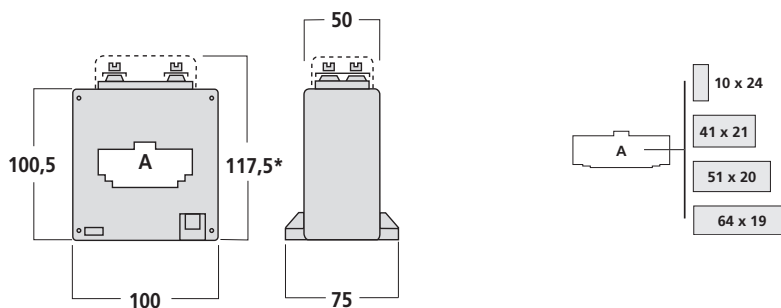
Primary current	VA				VA				VA			
	cl.5P5	cl.5P10	cl.5P15	cl.5P20	cl.5P5	cl.5P10	cl.5P15	cl.5P20	cl.5P5	cl.5P10	cl.5P15	cl.5P20
1500A	50	15	6	1,5	50	15	6	1,5	50	15	6	2
2000A	50	15	6	1,5	50	15	6	1,5	50	20	10	3
2500A	80	25	10	1,5	80	25	10	1,5	80	25	10	3
3000A	80	35	15	4	100	35	10	-	80	35	15	4
4000A	100	35	10	-	100	40	15	-	100	40	15	5
5000A					160	40	8	-	100	40	20	5
6000A					180	50	10	-				
8000A												
see page	58				58				58			



# Current transformers - Protection



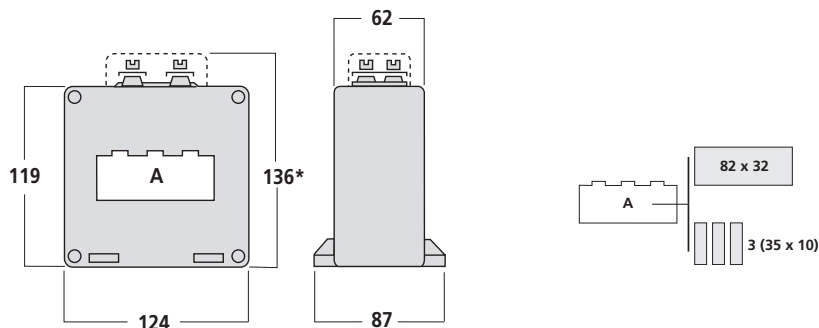
TAU111P					TAU121P				TAU131P				
TAXD...					TAXE...				TAXF...				
NT720					NT821				NT822				
passing primary winding					passing primary winding				passing primary winding				
257					177				257				
273,5					333,5				333,5				
120x165					55x225				120x225				
VA					VA				VA				
cl.5P5	cl.5P10	cl.5P15	cl.5P20		cl.5P5	cl.5P10	cl.5P15	cl.5P20	cl.5P5	cl.5P10	cl.5P15	cl.5P20	
50	15	6	2										
50	20	10	3										
80	25	10	3		25	20	10	5	25	20	10	5	
80	35	15	4		30	25	15	7,5	30	25	15	7,5	
100	40	15	5		40	35	20	10	40	35	20	10	
100	40	20	5		50	40	25	10	50	40	25	10	
100	40	20	3		60	50	30	12,5	60	50	30	12,5	
100	40	20	-						70	70	40	15	
59					59				59				



NT 645

**TAS63P**

Primary current	Burden VA		Secondary 5A		Secondary 1A		UTF certification
	cl.5P5	cl.5P10	Ordering code	Stock	Ordering code	Stock	
250A	2,5	1	TAWA50C250		TAWA10C250		
300A	3,5	1,2	TAWA50C300		TAWA10C300		
400A	4	1,5	TAWA50C400		TAWA10C400		
500A	5	1,5	TAWA50C500		TAWA10C500		
600A	6	2	TAWA50C600		TAWA10C600		
700A	7	2	TAWA50C700		TAWA10C700		
750A	7	2	TAWA50C750		TAWA10C750		
800A	7	1,5	TAWA50C800		TAWA10C800		
1000A	7	1,5	TAWA50D100		TAWA10D100		
1200A	10	1,5	TAWA50D120		TAWA10D120		
1250A	10	2	TAWA50D125		TAWA10D125		
1500A	10	1,5	TAWA50D150		TAWA10D150		
1600A	10	1,5	TAWA50D160		TAWA10D160		
accessory	*sealable terminal cover				ATACOP03	•	

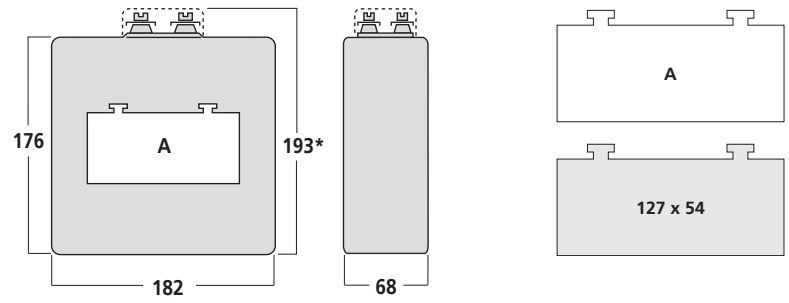


NT 571

**TAS80**

Primary current	Burden VA		Secondary 5A		Secondary 1A		UTF certification
	cl.5P5	cl.5P10	Ordering code	Stock	Ordering code	Stock	
300A	6	2,5	TASM50C300		TASM10C300		
400A	7	2,5	TASM50C400	•	TASM10C400		
500A	10	3	TASM50C500	•	TASM10C500		
600A	10	4	TASM50C600	•	TASM10C600		
700A	10	4	TASM50C700		TASM10C700		
750A	10	4	TASM50C750		TASM10C750		
800A	10	4	TASM50C800	•	TASM10C800		
1000A	15	4	TASM50D100	•	TASM10D100		
1200A	20	5	TASM50D120	•	TASM10D120		
1250A	20	5	TASM50D125		TASM10D125		
1500A	25	5	TASM50D150	•	TASM10D150		
1600A	25	5	TASM50D160	•	TASM10D160		
2000A	30	6	TASM50D200	•	TASM10D200		
2500A	35	6	TASM50D250	•	TASM10D250		
accessory	*sealable terminal cover				ATACOP03	•	





NT 575

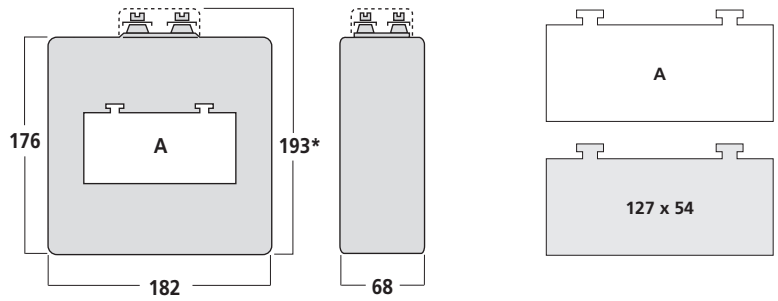
**TAS125**

Primary current	Burden VA		Secondary 5A		Secondary 1A		UTF certification
	cl.5P5	cl.5P10	Ordering code	Stock	Ordering code	Stock	
400A	6	3	TASQ50C400		TASQ10C400		
500A	10	3	TASQ50C500		TASQ10C500		
600A	10	5	TASQ50C600		TASQ10C600		
700A	10	5	TASQ50C700		TASQ10C700		
750A	10	5	TASQ50C750		TASQ10C750		
800A	15	5	TASQ50C800		TASQ10C800		
1000A	15	5	TASQ50D100	•	TASQ10D100		
1200A	20	5	TASQ50D120		TASQ10D120		
1250A	20	5	TASQ50D125		TASQ10D125		
1500A	20	5	TASQ50D150	•	TASQ10D150		
1600A	20	5	TASQ50D160		TASQ10D160		
2000A	25	5	TASQ50D200	•	TASQ10D200	•	
2500A	30	5	TASQ50D250	•	TASQ10D250	•	
3000A	40	5	TASQ50D300	•	TASQ10D300	•	
4000A	50	5	TASQ50D400	•	TASQ10D400	•	
accessory	*sealable terminal cover				ATACOP03	•	





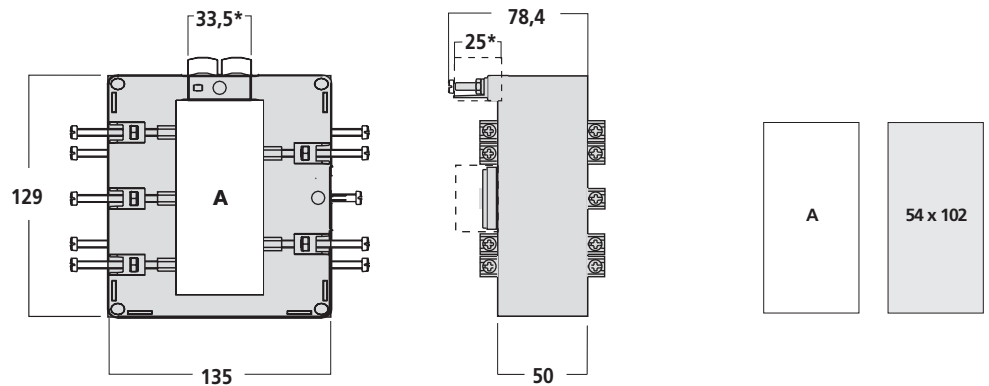
# Current transformers - Protection



NT 576

## TAS125P

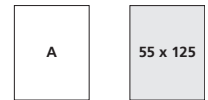
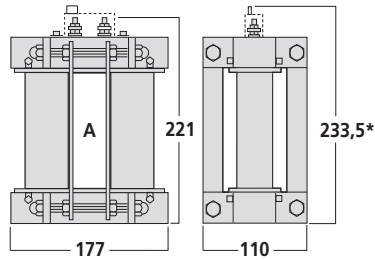
Primary current	Burden VA				Secondary 5A			Secondary 1A			UTF certification
	cl.5P5	cl.5P10	cl.5P15	cl.5P20	Ordering code	Stock		Ordering code	Stock		
400A	12	6	3,5	2,5	TAWC50C400			TAWC10C400			
500A	15	7	4	3	TAWC50C500			TAWC10C500			
600A	20	10	5	4	TAWC50C600			TAWC10C600			
700A	20	10	6	4	TAWC50C700			TAWC10C700			
750A	25	10	7	5	TAWC50C750			TAWC10C750			
800A	25	10	7	5	TAWC50C800			TAWC10C800			
1000A	30	15	8	6	TAWC50D100			TAWC10D100			
1200A	35	15	8	6	TAWC50D120			TAWC10D120			
1250A	35	15	8	6	TAWC50D125			TAWC10D125			
1500A	40	20	10	6	TAWC50D150			TAWC10D150			
1600A	40	20	10	6	TAWC50D160			TAWC10D160			
2000A	50	20	10	4	TAWC50D200			TAWC10D200			
2500A	60	20	10	3	TAWC50D250			TAWC10D250			
3000A	80	25	10	3	TAWC50D300			TAWC10D300			
4000A	100	30	15	3	TAWC50D400			TAWC10D400			
accessory	*sealable terminal cover							ATACOP03	•		



NT 768

## TAS102BP

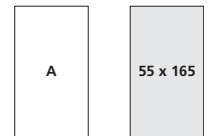
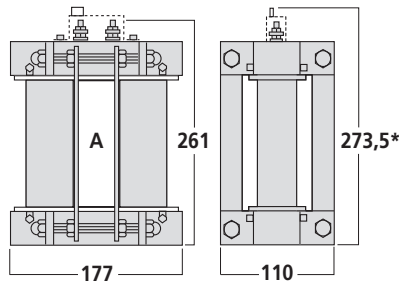
Primary current	Burden VA		Secondary 5A			Secondary 1A			UTF certification	
	cl.5P5	cl.5P10	Ordering code	Stock		Ordering code	Stock			
800A	10	4	TAPQ50C800			TAPQ10C800				
1000A	12	5	TAPQ50D100			TAPQ10D100				
1200A	12	5	TAPQ50D120			TAPQ10D120				
1250A	12	5	TAPQ50D125			TAPQ10D125				
1500A	15	6	TAPQ50D150			TAPQ10D150				
1600A	15	6	TAPQ50D160			TAPQ10D160				
2000A	20	6	TAPQ50D200			TAPQ10D200				
2500A	20	6	TAPQ50D250			TAPQ10D250				
3000A	20	4	TAPQ50D300			TAPQ10D300				
accessory	*sealable terminal cover							ATACOP04	•	



NT 715

**TAU81P**

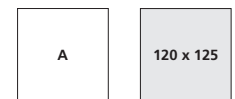
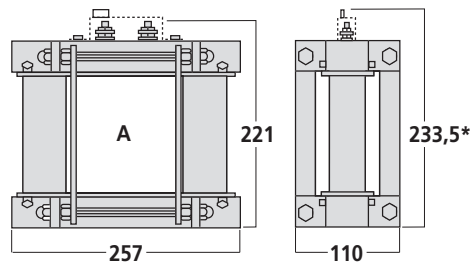
Primary current	Burden VA				Secondary 5A			Secondary 1A			UTF certification
	cl.5P5	cl.5P10	cl.5P15	cl.5P20	Ordering code	Stock		Ordering code	Stock		
1500A	50	15	6	1,5	TAXA50D150			TAXA10D150			
2000A	50	15	6	1,5	TAXA50D200			TAXA10D200			
2500A	80	25	10	1,5	TAXA50D250			TAXA10D250			
3000A	80	35	15	4	TAXA50D300			TAXA10D300			
4000A	100	35	10		TAXA50D400			TAXA10D400			
accessory	*sealable terminal cover							ATACOP05	•		



NT 716

**TAU91P**

Primary current	Burden VA				Secondary 5A			Secondary 1A			UTF certification
	cl.5P5	cl.5P10	cl.5P15	cl.5P20	Ordering code	Stock		Ordering code	Stock		
1500A	50	15	6	2	TAXB50D150			TAXB10D150			
2000A	50	20	10	3	TAXB50D200			TAXB10D200			
2500A	80	25	10	3	TAXB50D250			TAXB10D250			
3000A	80	35	15	4	TAXB50D300			TAXB10D300			
4000A	100	40	15	5	TAXB50D400			TAXB10D400			
5000A	100	40	20	5	TAXB50D500			TAXB10D500			
accessory	*sealable terminal cover							ATACOP05	•		



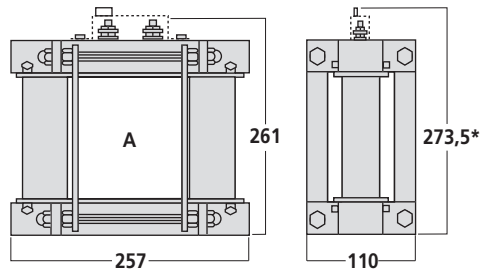
NT 718

**TAU101P**

Primary current	Burden VA				Secondary 5A			Secondary 1A			UTF certification
	cl.5P5	cl.5P10	cl.5P15	cl.5P20	Ordering code	Stock		Ordering code	Stock		
1500A	50	15	6	1,5	TAXC50D150			TAXC10D150			
2000A	50	15	6	1,5	TAXC50D200			TAXC10D200			
2500A	80	25	10	1,5	TAXC50D250			TAXC10D250			
3000A	100	35	10		TAXC50D300			TAXC10D300			
4000A	100	40	15		TAXC50D400			TAXC10D400			
5000A	160	40	8		TAXC50D500			TAXC10D500			
6000A	180	50	10		TAXC50D600			TAXC10D600			
accessory	*sealable terminal cover							ATACOP05	•		



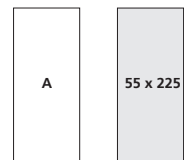
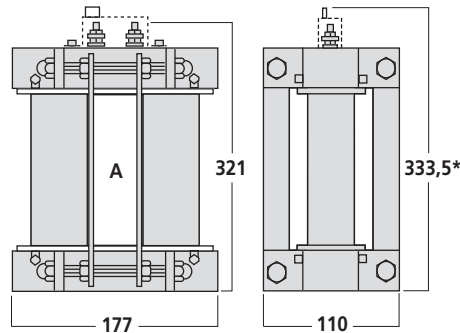
# Current transformers - Protection



NT 720

## TAU111P

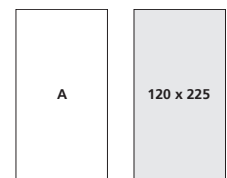
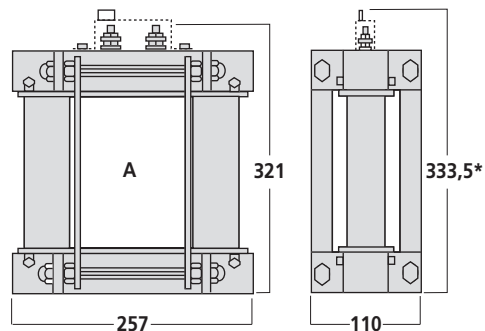
Primary current	Burden VA				Secondary 5A			Secondary 1A			UTF certification
	cl.5P5	cl.5P10	cl.5P15	cl.5P20	Ordering code	Stock		Ordering code	Stock		
1500A	50	15	6	2	TAXD50D150			TAXD10D150			
2000A	50	20	10	3	TAXD50D200			TAXD10D200			
2500A	80	25	10	3	TAXD50D250			TAXD10D250			
3000A	80	35	15	4	TAXD50D300			TAXD10D300			
4000A	100	40	15	5	TAXD50D400			TAXD10D400			
5000A	100	40	20	5	TAXD50D500			TAXD10D500			
6000A	100	40	20	3	TAXD50D600			TAXD10D600			
8000A	100	40	20		TAXD50D800			TAXD10D800			
accessory	*sealable terminal cover							ATACOP05	•		



NT 821

## TAU121P

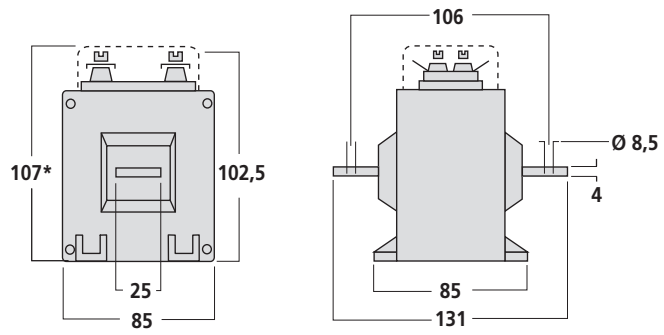
Primary current	Burden VA				Secondary 5A			Secondary 1A			UTF certification
	cl.5P5	cl.5P10	cl.5P15	cl.5P20	Ordering code	Stock		Ordering code	Stock		
2500A	25	20	10	5	TAXE50D250			TAXE10D250			
3000A	30	25	15	7,5	TAXE50D300			TAXE10D300			
4000A	40	35	20	10	TAXE50D400			TAXE10D400			
5000A	50	40	25	10	TAXE50D500			TAXE10D500			
6000A	60	50	30	12,5	TAXE50D600			TAXE10D600			
accessory	*sealable terminal cover							ATACOP05	•		



NT 822

## TAU131P

Primary current	Burden VA				Secondary 5A			Secondary 1A			UTF certification
	cl.5P5	cl.5P10	cl.5P15	cl.5P20	Ordering code	Stock		Ordering code	Stock		
2500A	25	20	10	5	TAXF50D250			TAXF10D250			
3000A	30	25	15	7,5	TAXF50D300			TAXF10D300			
4000A	40	35	20	10	TAXF50D400			TAXF10D400			
5000A	50	40	25	10	TAXF50D500			TAXF10D500			
6000A	60	50	30	12,5	TAXF50D600			TAXF10D600			
8000A	70	70	40	15	TAXF50D800			TAXF10D800			
accessory	*sealable terminal cover							ATACOP05	•		



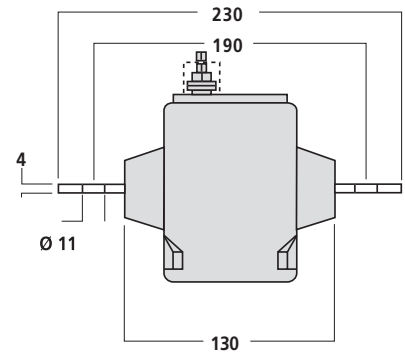
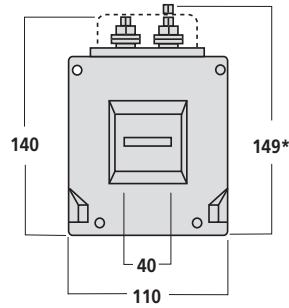
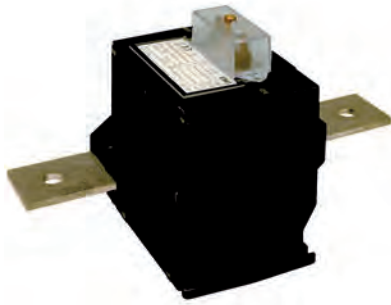
NT 823

**TAQ10P**

Primary current	Burden VA		Secondary 5A		Secondary 1A		UTF certification
	c.l.5P5	c.l.5P10	Ordering code	Stock	Ordering code	Stock	
5A	4	2	TAVB50A500		TAVB10A500		
10A	4	2	TAVB50B100		TAVB10B100		
15A	4	2	TAVB50B150		TAVB10B150		
20A	4	2	TAVB50B200		TAVB10B200		
25A	4	2	TAVB50B250		TAVB10B250		
30A	4	2	TAVB50B300		TAVB10B300		
40A	4	2	TAVB50B400		TAVB10B400		
50A	4	2	TAVB50B500		TAVB10B500		
60A	4	2	TAVB50B600		TAVB10B600		
70A	4	2	TAVB50B700		TAVB10B700		
75A	4	2	TAVB50B750		TAVB10B750		
80A	4	2	TAVB50B800		TAVB10B800		
100A	4	2	TAVB50C100		TAVB10C100		
120A	4	2	TAVB50C120		TAVB10C120		
150A	4	2	TAVB50C150		TAVB10C150		
200A	4	2	TAVB50C200		TAVB10C200		
250A	4	2	TAVB50C250		TAVB10C250		
300A	4	2	TAVB50C300		TAVB10C300		
accessory	*sealable terminal cover				ATACOP03	•	



# Current transformers - Protection

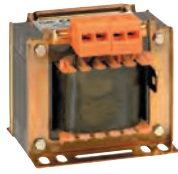


NT 730

## TAQ20P

Primary current	Burden VA		Secondary 5A		Secondary 1A		UTF certification
	cl.5P5	cl.5P10	Ordering code	Stock	Ordering code	Stock	
5A	8	4	TAVA50A500		TAVA10A500		
10A	8	4	TAVA50B100		TAVA10B100		
15A	8	4	TAVA50B150		TAVA10B150		
20A	8	4	TAVA50B200		TAVA10B200		
25A	8	4	TAVA50B250		TAVA10B250		
30A	8	4	TAVA50B300		TAVA10B300		
40A	8	4	TAVA50B400		TAVA10B400		
50A	8	4	TAVA50B500		TAVA10B500		
60A	8	4	TAVA50B600		TAVA10B600		
70A	8	4	TAVA50B700		TAVA10B700		
75A	8	4	TAVA50B750		TAVA10B750		
80A	8	4	TAVA50B800		TAVA10B800		
100A	8	4	TAVA50C100		TAVA10C100		
120A	8	4	TAVA50C120		TAVA10C120		
150A	8	4	TAVA50C150		TAVA10C150		
200A	8	4	TAVA50C200		TAVA10C200		
250A	8	4	TAVA50C250		TAVA10C250		
300A	8	4	TAVA50C300		TAVA10C300		
400A	8	4	TAVA50C400		TAVA10C400		
500A	8	4	TAVA50C500		TAVA10C500		
600A	8	4	TAVA50C600		TAVA10C600		
accessory	*sealable terminal cover				ATACOP07	•	

# Reasuming table



Model	BTV3		BTV6			BTV10		
Code	TVVA_		TVVB_			TVVC_		
Technical note	NT733		NT734			NT735		
Width (mm)	80		120			125		
Height (mm)	115		100			100		
Depth (mm)	96		85			85		

Primary voltage	VA		VA			VA		
	cl.1		cl.0,5	cl.1	cl.3P	cl.0,5	cl.1	cl.3P
100V	6		6	9	20	10	15	30
110V	6		6	9	20	10	15	30
115V	6		6	9	20	10	15	30
230V	6		6	9	20	10	15	30
240V	6		6	9	20	10	15	30
400V	6		6	9	20	10	15	30
440V	6		6	9	20	10	15	30
450V	6		6	9	20	10	15	30
500V	6		6	9	20	10	15	30
600V	6		6	9	20	10	15	30
660V								
690V								
700V								
800V								
1000V								

For primary voltage: $\sqrt{3}$	VA		VA			VA		
	cl.1		cl.0,5	cl.1	cl.3P	cl.0,5	cl.1	cl.3P
	3		3	4	10	5	7	15
see page	64			65			66	



# Voltage transformers - Measuring/Protection



## BTV20

TVVD\_

NT736

140

100

85

## BTV50

TVVE\_

NT737

165

125

103

## BTV100

TVVF\_

NT738

180

125

103

### VA

cl.0,5 cl.1 cl.3P

20 30 50

20 30 50

20 30 50

20 30 50

20 30 50

20 30 50

20 30 50

20 30 50

20 30 50

20 30 50

20 30 50

20 30 50

20 30 50

20 30 50

20 30 50

### VA

cl.0,5 cl.1 cl.3P

50 75 100

50 75 100

50 75 100

50 75 100

50 75 100

50 75 100

50 75 100

50 75 100

50 75 100

50 75 100

50 75 100

50 75 100

50 75 100

50 75 100

50 75 100

### VA

cl.0,5 cl.1 cl.3P

100 150 200

100 150 200

100 150 200

100 150 200

100 150 200

100 150 200

100 150 200

100 150 200

100 150 200

100 150 200

100 150 200

100 150 200

100 150 200

100 150 200

100 150 200

### VA

cl.0,5 cl.1 cl.3P

8 10 25

67

### VA

cl.0,5 cl.1 cl.3P

25 35 50

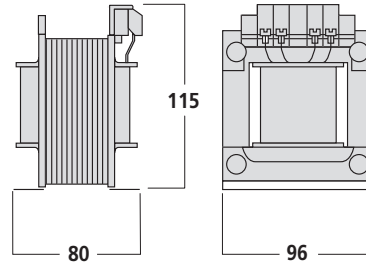
68

### VA

cl.0,5 cl.1 cl.3P

50 75 100

69



NT 733

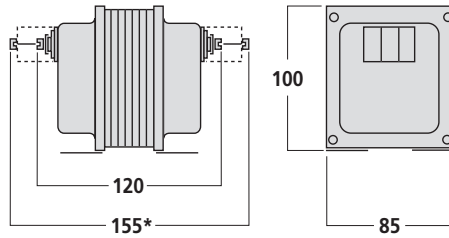
**BTV3**

Primary voltage	Burden VA	Secondary 100V		Secondary 100:√3V		UTF certification
	cl.1	Ordering code	Stock	Ordering code	Stock	
100V	6	TVVAC100C100				
110V	6	TVVAC110C100				
115V	6	TVVAC115C100				
230V	6	TVVAC230C100	•			
240V	6	TVVAC240C100				
400V	6	TVVAC400C100	•			
440V	6	TVVAC440C100				
450V	6	TVVAC450C100				
500V	6	TVVAC500C100	•			
600V	6	TVVAC600C100	•			
100:√3V	3			TVVAG100G100		
110:√3V	3			TVVAG110G100		
115:√3V	3			TVVAG115G100		
230:√3V	3			TVVAG230G100		
240:√3V	3			TVVAG240G100		
400:√3V	3			TVVAG400G100	•	
440:√3V	3			TVVAG440G100		
450:√3V	3			TVVAG450G100		
500:√3V	3			TVVAG500G100		
600:√3V	3			TVVAG600G100		





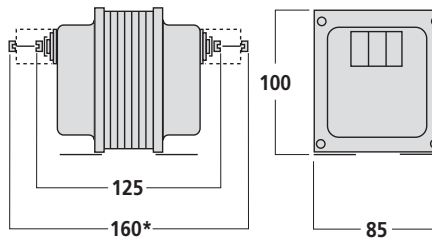
# Voltage transformers - Measuring/Protection



NT 734

## BTV6

Primary voltage	Burden VA			Secondary 100V			Secondary 100:√3V			UTF(cl.0,5) certification	
	cl.0,5	cl.1	cl.3P	Ordering code	Stock		Ordering code	Stock			
100V	6	9	20	TVVBC100C100						•	
110V	6	9	20	TVVBC110C100						•	
115V	6	9	20	TVVBC115C100						•	
230V	6	9	20	TVVBC230C100	•					•	
240V	6	9	20	TVVBC240C100						•	
400V	6	9	20	TVVBC400C100	•					•	
440V	6	9	20	TVVBC440C100						•	
450V	6	9	20	TVVBC450C100						•	
500V	6	9	20	TVVBC500C100	•					•	
600V	6	9	20	TVVBC600C100	•					•	
100:√3V	3	4	10				TVVBG100G100			•	
110:√3V	3	4	10				TVVBG110G100			•	
115:√3V	3	4	10				TVVBG115G100			•	
230:√3V	3	4	10				TVVBG230G100			•	
240:√3V	3	4	10				TVVBG240G100			•	
400:√3V	3	4	10				TVVBG400G100	•		•	
440:√3V	3	4	10				TVVBG440G100			•	
450:√3V	3	4	10				TVVBG450G100			•	
500:√3V	3	4	10				TVVBG500G100			•	
600:√3V	3	4	10				TVVBG600G100			•	
accessories	*primary/secondary sealable terminal cover						ATVCOP01	•			



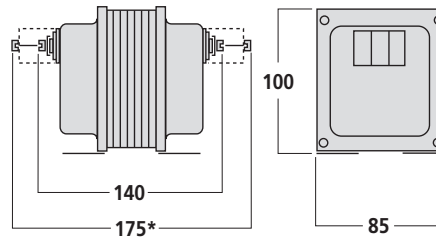
NT 735

**BTV10**

Primary voltage	Burden VA			Secondary 100V		Secondary 100:√3V		UTF(cl.0,5) certification	
	cl.0,5	cl.1	cl.3P	Ordering code	Stock	Ordering code	Stock		
100V	10	15	30	TVVCC100C100				•	
110V	10	15	30	TVVCC110C100				•	
115V	10	15	30	TVVCC115C100				•	
230V	10	15	30	TVVCC230C100	•			•	
240V	10	15	30	TVVCC240C100				•	
400V	10	15	30	TVVCC400C100	•			•	
440V	10	15	30	TVVCC440C100				•	
450V	10	15	30	TVVCC450C100				•	
500V	10	15	30	TVVCC500C100	•			•	
600V	10	15	30	TVVCC600C100	•			•	
100:√3V	5	7	15			TVVCG100G100		•	
110:√3V	5	7	15			TVVCG110G100		•	
115:√3V	5	7	15			TVVCG115G100		•	
230:√3V	5	7	15			TVVCG230G100		•	
240:√3V	5	7	15			TVVCG240G100		•	
400:√3V	5	7	15			TVVCG400G100	•	•	
440:√3V	5	7	15			TVVCG440G100		•	
450:√3V	5	7	15			TVVCG450G100		•	
500:√3V	5	7	15			TVVCG500G100		•	
600:√3V	5	7	15			TVVCG600G100		•	
accessories	*primary/secondary sealable terminal cover					ATVCOP01	•		



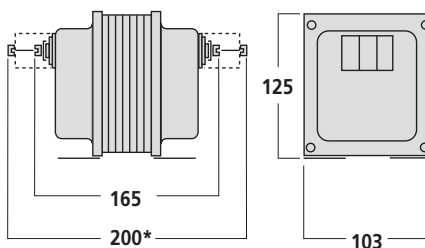
# Voltage transformers - Measuring/Protection



NT 736

## BTV20

Primary voltage	Burden VA			Secondary 100V			Secondary 100:√3V			UTF(cl.0,5) certification
	cl.0,5	cl.1	cl.3P	Ordering code	Stock		Ordering code	Stock		
100V	20	30	50	TVVDC100C100						•
110V	20	30	50	TVVDC110C100						•
115V	20	30	50	TVVDC115C100						•
230V	20	30	50	TVVDC230C100	•					•
240V	20	30	50	TVVDC240C100						•
400V	20	30	50	TVVDC400C100	•					•
440V	20	30	50	TVVDC440C100	•					•
450V	20	30	50	TVVDC450C100						•
500V	20	30	50	TVVDC500C100	•					•
600V	20	30	50	TVVDC600C100	•					•
660V	20	30	50	TVVDC660C100						•
690V	20	30	50	TVVDC690C100	•					•
700V	20	30	50	TVVDC700C100						•
800V	20	30	50	TVVDC800C100						•
1000V	20	30	50	TVVDD100C100	•					•
100:√3V	8	10	25				TVVDG100G100			•
110:√3V	8	10	25				TVVDG110G100			•
115:√3V	8	10	25				TVVDG115G100			•
230:√3V	8	10	25				TVVDG230G100			•
240:√3V	8	10	25				TVVDG240G100			•
400:√3V	8	10	25				TVVDG400G100	•		•
440:√3V	8	10	25				TVVDG440G100			•
450:√3V	8	10	25				TVVDG450G100			•
500:√3V	8	10	25				TVVDG500G100			•
600:√3V	8	10	25				TVVDG600G100			•
660:√3V	8	10	25				TVVDG660G100			•
690:√3V	8	10	25				TVVDG690G100			•
700:√3V	8	10	25				TVVDG700G100			•
800:√3V	8	10	25				TVVDG800G100			•
1000:√3V	8	10	25				TVVDH100G100			•
accessories	*primary/secondary sealable terminal cover						ATVCOP01	•		



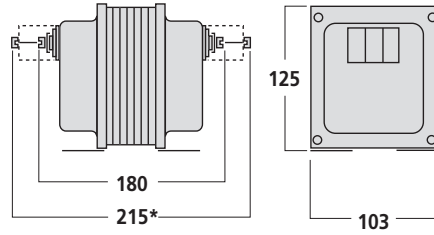
NT 737

**BTV50**

Primary voltage	Burden VA			Secondary 100V		Secondary 100:√3V		UTF(cl.0,5) certification	
	cl.0,5	cl.1	cl.3P	Ordering code	Stock	Ordering code	Stock		
100V	50	75	100	TVVEC100C100				•	
110V	50	75	100	TVVEC110C100				•	
115V	50	75	100	TVVEC115C100				•	
230V	50	75	100	TVVEC230C100				•	
240V	50	75	100	TVVEC240C100				•	
400V	50	75	100	TVVEC400C100				•	
440V	50	75	100	TVVEC440C100				•	
450V	50	75	100	TVVEC450C100				•	
500V	50	75	100	TVVEC500C100				•	
600V	50	75	100	TVVEC600C100				•	
660V	50	75	100	TVVEC660C100				•	
690V	50	75	100	TVVEC690C100				•	
700V	50	75	100	TVVEC700C100				•	
800V	50	75	100	TVVEC800C100				•	
1000V	50	75	100	TVVED100C100				•	
100:√3V	25	35	50			TVVEG100G100		•	
110:√3V	25	35	50			TVVEG110G100		•	
115:√3V	25	35	50			TVVEG115G100		•	
230:√3V	25	35	50			TVVEG230G100		•	
240:√3V	25	35	50			TVVEG240G100		•	
400:√3V	25	35	50			TVVEG400G100		•	
440:√3V	25	35	50			TVVEG440G100		•	
450:√3V	25	35	50			TVVEG450G100		•	
500:√3V	25	35	50			TVVEG500G100		•	
600:√3V	25	35	50			TVVEG600G100		•	
660:√3V	25	35	50			TVVEG660G100		•	
690:√3V	25	35	50			TVVEG690G100		•	
700:√3V	25	35	50			TVVEG700G100		•	
800:√3V	25	35	50			TVVEG800G100		•	
1000:√3V	25	35	50			TVVEH100G100		•	
accessories	*primary/secondary sealable terminal cover					ATVCOP01	•		



# Voltage transformers - Measuring/Protection



NT 738

## BTV100

Primary voltage	Burden VA			Secondary 100V			Secondary 100:√3V			UTF(d.0,5) certification
	cl.0,5	cl.1	cl.3P	Ordering code	Stock		Ordering code	Stock		
100V	100	150	200	TVVFC100C100						•
110V	100	150	200	TVVFC110C100						•
115V	100	150	200	TVVFC115C100						•
230V	100	150	200	TVVFC230C100						•
240V	100	150	200	TVVFC240C100						•
400V	100	150	200	TVVFC400C100						•
440V	100	150	200	TVVFC440C100						•
450V	100	150	200	TVVFC450C100						•
500V	100	150	200	TVVFC500C100						•
600V	100	150	200	TVVFC600C100						•
660V	100	150	200	TVVFC660C100						•
690V	100	150	200	TVVFC690C100						•
700V	100	150	200	TVVFC700C100						•
800V	100	150	200	TVVFC800C100						•
1000V	100	150	200	TVVFD100C100						•
100:√3V	50	75	100				TVVFG100G100			•
110:√3V	50	75	100				TVVFG110G100			•
115:√3V	50	75	100				TVVFG115G100			•
230:√3V	50	75	100				TVVFG230G100			•
240:√3V	50	75	100				TVVFG240G100			•
400:√3V	50	75	100				TVVFG400G100			•
440:√3V	50	75	100				TVVFG440G100			•
450:√3V	50	75	100				TVVFG450G100			•
500:√3V	50	75	100				TVVFG500G100			•
600:√3V	50	75	100				TVVFG600G100			•
660:√3V	50	75	100				TVVFG660G100			•
690:√3V	50	75	100				TVVFG690G100			•
700:√3V	50	75	100				TVVFG700G100			•
800:√3V	50	75	100				TVVFG800G100			•
1000:√3V	50	75	100				TVVFG1000G100			•
accessories	*primary/secondary sealable terminal cover						ATVCOP01	•		

# Reasuming table



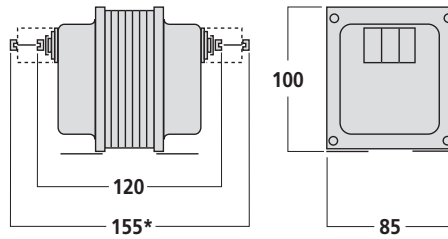
Model	BTV6	BTV10	BTV20
Code	TVVB...S	TVVC...S	TVVD...S
Technical note	NT836	NT837	NT838
Width (mm)	120	125	140
Height (mm)	100	100	100
Depth (mm)	85	85	85
<b>Primary voltage</b>	<b>VA</b>	<b>VA</b>	<b>VA</b>
	cl.0,2	cl.0,2	cl.0,2
230V	2,5	4	8
240V	2,5	4	8
400V	2,5	4	8
440V	2,5	4	8
450V	2,5	4	8
500V	2,5	4	8
600V	2,5	4	8
660V			8
690V			8
700V			8
800V			8
1000V			8
<b>For primary voltage: <math>\sqrt{3}</math></b>	<b>VA</b>	<b>VA</b>	<b>VA</b>
	cl.0,2	cl.0,2	cl.0,2
	1	2	3
see page	72	73	74



# Voltage transformers - Accuracy



<b>BTV50</b>		<b>BTV100</b>			
<b>TVVE...S</b>		<b>TVVF...S</b>			
<b>NT839</b>		<b>NT840</b>			
165		180			
125		125			
103		103			
<b>VA</b>		<b>VA</b>			
<b>cl.0,2</b>		<b>cl.0,2</b>			
20		40			
20		40			
20		40			
20		40			
20		40			
20		40			
20		40			
20		40			
20		40			
20		40			
20		40			
20		40			
<b>VA</b>		<b>VA</b>			
<b>cl.0,2</b>		<b>cl.0,2</b>			
8		14			
75		76			



NT 836

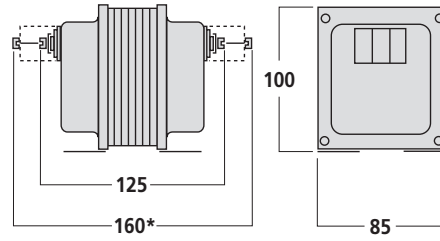
**BTV6**

Primary voltage	Burden VA	Secondary 100V		Secondary 100:√3V		UTF(c.l.0,2) certification
	cl.0,2	Ordering code	Stock	Ordering code	Stock	
230V	2,5	TVVBC230C100S				
240V	2,5	TVVBC240C100S				
400V	2,5	TVVBC400C100S				
440V	2,5	TVVBC440C100S				
450V	2,5	TVVBC450C100S				
500V	2,5	TVVBC500C100S				
600V	2,5	TVVBC600C100S				
230:√3V	1			TVVBG230G100S		
240:√3V	1			TVVBG240G100S		
400:√3V	1			TVVBG400G100S		
440:√3V	1			TVVBG440G100S		
450:√3V	1			TVVBG450G100S		
500:√3V	1			TVVBG500G100S		
600:√3V	1			TVVBG600G100S		
accessories	*primary/secondary sealable terminal cover			ATVCOP01	•	





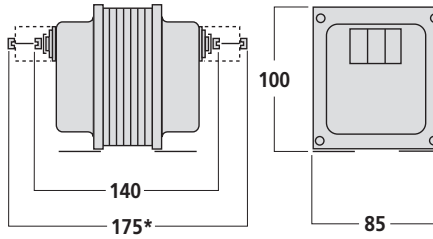
# Voltage transformers - Accuracy



NT837

## BTV10

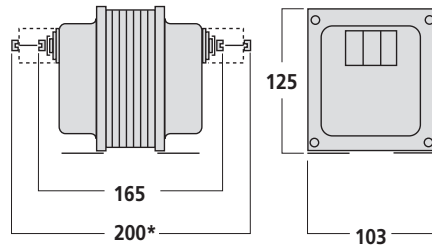
Primary voltage	Burden VA	Secondary 100V		Secondary 100:√3V		UTF(c.l.0,2) certification
	c.l.0,2	Ordering code	Stock	Ordering code	Stock	
230V	4	TVVCC230C100S				•
240V	4	TVVCC240C100S				•
400V	4	TVVCC400C100S				•
440V	4	TVVCC440C100S				•
450V	4	TVVCC450C100S				•
500V	4	TVVCC500C100S				•
600V	4	TVVCC600C100S				•
230:√3V	2			TVVCG230G100S		
240:√3V	2			TVVCG240G100S		
400:√3V	2			TVVCG400G100S		
440:√3V	2			TVVCG440G100S		
450:√3V	2			TVVCG450G100S		
500:√3V	2			TVVCG500G100S		
600:√3V	2			TVVCG600G100S		
accessories	*primary/secondary sealable terminal cover			ATVCOP01	•	



NT 838							
<b>BTV20</b>							
Primary voltage	Burden VA		Secondary 100V		Secondary 100:√3V		UTF(c.l.0,2) certification
	cl.0,2		Ordering code	Stock	Ordering code	Stock	
230V	8		TVVDC230C100S				•
240V	8		TVVDC240C100S				•
400V	8		TVVDC400C100S				•
440V	8		TVVDC440C100S				•
450V	8		TVVDC450C100S				•
500V	8		TVVDC500C100S				•
600V	8		TVVDC600C100S				•
660V	8		TVVDC660C100S				•
690V	8		TVVDC690C100S				•
700V	8		TVVDC700C100S				•
800V	8		TVVDC800C100S				•
1000V	8		TVVDD100C100S				•
230:√3V	3				TVVDG230G100S		•
240:√3V	3				TVVDG240G100S		•
400:√3V	3				TVVDG400G100S		•
440:√3V	3				TVVDG440G100S		•
450:√3V	3				TVVDG450G100S		•
500:√3V	3				TVVDG500G100S		•
600:√3V	3				TVVDG600G100S		•
660:√3V	3				TVVDG660G100S		•
690:√3V	3				TVVDG690G100S		•
700:√3V	3				TVVDG700G100S		•
800:√3V	3				TVVDG800G100S		•
1000:√3V	3				TVVDH100G100S		•
accessories	*primary/secondary sealable terminal cover				ATVCOP01	•	



# Voltage transformers - Accuracy



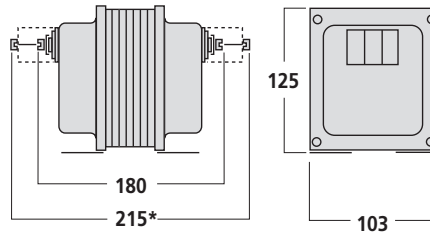
NT 839

## BTV50

Primary voltage	Burden VA	Secondary 100V			Secondary 100:√3V			UTF(d.0,2) certification
	c.l.0,2	Ordering code	Stock		Ordering code	Stock		
230V	20	TVVEC230C100S						•
240V	20	TVVEC240C100S						•
400V	20	TVVEC400C100S						•
440V	20	TVVEC440C100S						•
450V	20	TVVEC450C100S						•
500V	20	TVVEC500C100S						•
600V	20	TVVEC600C100S						•
660V	20	TVVEC660C100S						•
690V	20	TVVEC690C100S						•
700V	20	TVVEC700C100S						•
800V	20	TVVEC800C100S						•
1000V	20	TVVED100C100S						•
230:√3V	8				TVVEG230G100S			•
240:√3V	8				TVVEG240G100S			•
400:√3V	8				TVVEG400G100S			•
440:√3V	8				TVVEG440G100S			•
450:√3V	8				TVVEG450G100S			•
500:√3V	8				TVVEG500G100S			•
600:√3V	8				TVVEG600G100S			•
660:√3V	8				TVVEG660G100S			•
690:√3V	8				TVVEG690G100S			•
700:√3V	8				TVVEG700G100S			•
800:√3V	8				TVVEG800G100S			•
1000:√3V	8				TVVEH100G100S			•
accessories		*primary/secondary sealable terminal cover			ATVCOP01	•		



# Voltage transformers - Accuracy

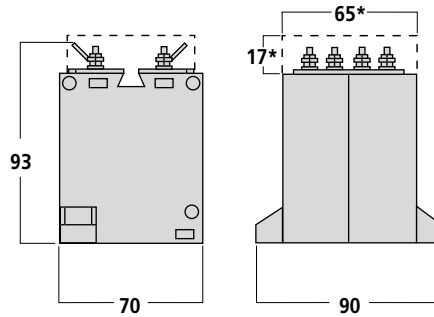


NT 840

Primary voltage	Burden VA		Secondary 100V		Secondary 100:√3V		UTF(cl.0,2) certification
	cl.0,2	Ordering code	Stock	Ordering code	Stock		
230V	40	TVVFC230C100S					•
240V	40	TVVFC240C100S					•
400V	40	TVVFC400C100S					•
440V	40	TVVFC440C100S					•
450V	40	TVVFC450C100S					•
500V	40	TVVFC500C100S					•
600V	40	TVVFC600C100S					•
660V	40	TVVFC660C100S					•
690V	40	TVVFC690C100S					•
700V	40	TVVFC700C100S					•
800V	40	TVVFC800C100S					•
1000V	40	TVVFD100C100S					•
230:√3V	14				TVVFG230G100S		•
240:√3V	14				TVVFG240G100S		•
400:√3V	14				TVVFG400G100S		•
440:√3V	14				TVVFG440G100S		•
450:√3V	14				TVVFG450G100S		•
500:√3V	14				TVVFG500G100S		•
600:√3V	14				TVVFG600G100S		•
660:√3V	14				TVVFG660G100S		•
690:√3V	14				TVVFG690G100S		•
700:√3V	14				TVVFG700G100S		•
800:√3V	14				TVVFG800G100S		•
1000:√3V	14				TVVFG1000G100S		•
accessories	*primary/secondary sealable terminal cover			ATVCOP01	•		



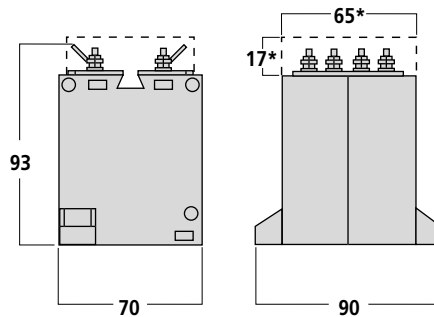
# Current transformers - Summation



NT 731

## BSA02

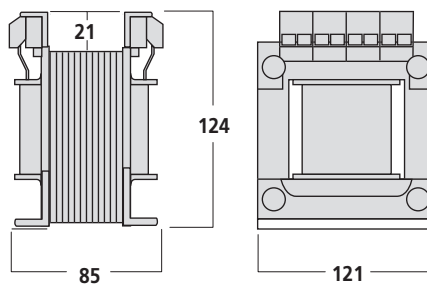
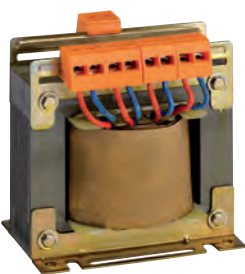
Primary current	Burden VA		Secondary 5A			Secondary 1A		
	c.l.0,5	c.l.1	Ordering code	Stock		Ordering code	Stock	
5+5A	10	15	TAEA5025	•		TAEA1021		
1+1A	10	15						
accessory	*sealable terminal cover					TACOP11	•	



NT 731

## BSA03

Primary current	Burden VA		Secondary 5A			Secondary 1A		
	c.l.0,5	c.l.1	Ordering code	Stock		Ordering code	Stock	
5+5+5A	10	15	TAEA5035	•		TAEA1031		
1+1+1A	10	15						
accessory	*sealable terminal cover					TACOP11	•	



NT 732

## BTA2

Primary current	Burden VA		Secondary 5A			Secondary 1A		
	c.l.0,5		Ordering code	Stock		Ordering code	Stock	
5+5A	40		TAEB5025	•				
5+5+5A	40		TAEB5035	•				
5+5+5+5A	40		TAEB5045					
5+5+5+5+5A	15		TAEB5055					
5+5+5+5+5+5A	15		TAEB5065					
1+1A	40					TAEB1021		
1+1+1A	40					TAEB1031		
1+1+1+1A	40					TAEB1041		
1+1+1+1+1A	15					TAEB1051		
1+1+1+1+1+1A	15					TAEB1061		